

JVC

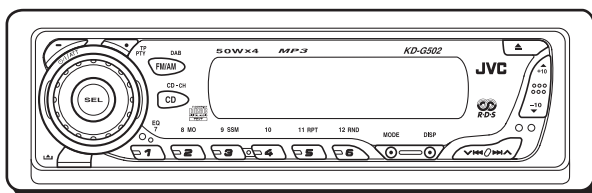
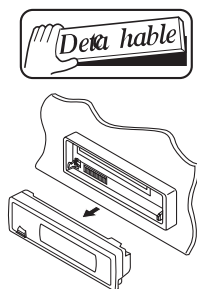
SERVICE MANUAL

CD RECEIVER

KD-G502

Area suffix

E ----- Continental Europe
EX ----- Central Europe
EU-----Turkey



MP3



TABLE OF CONTENTS

1	PRECAUTION.....	1-3
2	SPECIFIC SERVICE INSTRUCTIONS.....	1-6
3	DISASSEMBLY.....	1-6
4	ADJUSTMENT.....	1-6
5	TROUBLESHOOTING.....	1-6


SPECIFICATION


AUDIO AMPLIFIER SECTION		
Maximum Power Output	Front	50 W per channel
	Rear	50 W per channel
Continuous Power Output (RMS)	Front	19 W per channel into 4 Ω , 40 Hz to 20 000 Hz at no more than 0.8% total harmonic distortion.
	Rear	19 W per channel into 4 Ω , 40 Hz to 20 000 Hz at no more than 0.8% total harmonic distortion.
Load Impedance		4 Ω (4 Ω to 8 Ω allowance)
Tone Control Range	Bass	± 10 dB at 100 Hz
	Treble	± 10 dB at 10 kHz
Frequency Response		40 Hz to 20 000 Hz
Signal-to-Noise Ratio		70 dB
Line-Out Level/Impedance		2.0 V/20 k Ω load (full scale)
Output Impedance		1 k Ω
TUNER SECTION		
Frequency Range	FM	87.5 MHz to 108.0 MHz
	AM	(MW) 522 kHz to 1 620 kHz
		(LW) 144 kHz to 279 kHz
[FM Tuner]	Usable Sensitivity	11.3 dBf (1.0 μ V/75 Ω)
	50 dB Quieting Sensitivity	16.3 dBf (1.8 μ V/75 Ω)
	Alternate Channel Selectivity (400 kHz)	65 dB
	Frequency Response	40 Hz to 15 000 Hz
	Stereo Separation	30 dB
	Capture Ratio	1.5 dB
[MW Tuner]	Sensitivity	20 μ V
	Selectivity	35 dB
[LW Tuner]	Selectivity	50 μ V
CD PLAYER SECTION		
Type		Compact disc player
Signal Detection System		Non-contact optical pickup (semiconductor laser)
Number of channels		2 channels (stereo)
Frequency Response		5 Hz to 20 000 Hz
Dynamic Range		96 dB
Signal-to-Noise Ratio		98 dB
Wow and Flutter		Less than measurable limit
MP3 decoding format		MPEG 1/2 Audio Layer 3 Max. Bit Rate:320 Kbps
GENERAL		
Power Requirement	Operating Voltage	DC 14.4 V (11 V to 16 V allowance)
Grounding System		Negative ground
Allowable Operating Temperature		0°C to +40°C
Dimensions (W \times H \times D)	Installation Size (approx.)	182 mm \times 52 mm \times 150 mm
	Panel Size (approx.)	188 mm \times 58 mm \times 12 mm
Mass (approx.)		1.4 kg (excluding accessories)

Design and specifications are subject to change without notice.

SECTION 1 PRECAUTION

1.1 Safety Precautions

 **CAUTION** Burrs formed during molding may be left over on some parts of the chassis. Therefore, pay attention to such burrs in the case of performing repair of this system.

 **CAUTION** Please use enough caution not to see the beam directly or touch it in case of an adjustment or operation check.

1.2 Preventing static electricity

Electrostatic discharge (ESD), which occurs when static electricity stored in the body, fabric, etc. is discharged, can destroy the laser diode in the traverse unit (optical pickup). Take care to prevent this when performing repairs.

1.2.1 Grounding to prevent damage by static electricity

Static electricity in the work area can destroy the optical pickup (laser diode) in devices such as CD players.

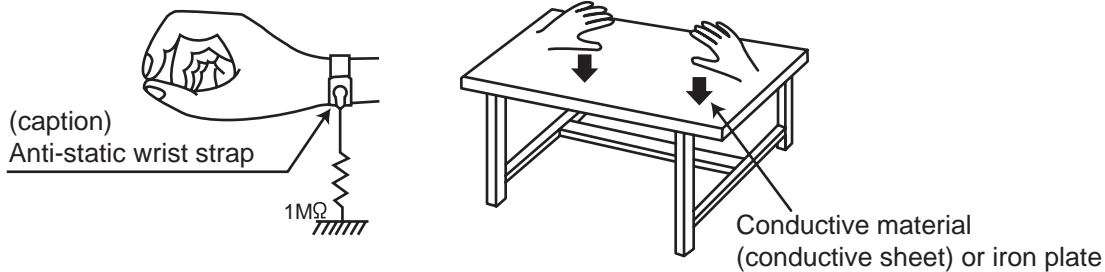
Be careful to use proper grounding in the area where repairs are being performed.

(1) Ground the workbench

Ground the workbench by laying conductive material (such as a conductive sheet) or an iron plate over it before placing the traverse unit (optical pickup) on it.

(2) Ground yourself

Use an anti-static wrist strap to release any static electricity built up in your body.



(3) Handling the optical pickup

- In order to maintain quality during transport and before installation, both sides of the laser diode on the replacement optical pickup are shorted. After replacement, return the shorted parts to their original condition. (Refer to the text.)
- Do not use a tester to check the condition of the laser diode in the optical pickup. The tester's internal power source can easily destroy the laser diode.

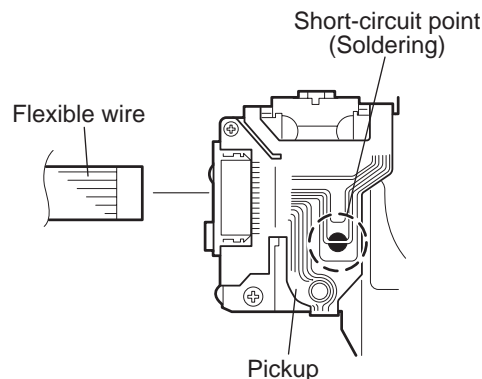
1.3 Handling the traverse unit (optical pickup)

- (1) Do not subject the traverse unit (optical pickup) to strong shocks, as it is a sensitive, complex unit.
- (2) Cut off the shorted part of the flexible cable using nippers, etc. after replacing the optical pickup. For specific details, refer to the replacement procedure in the text. Remove the anti-static pin when replacing the traverse unit. Be careful not to take too long a time when attaching it to the connector.
- (3) Handle the flexible cable carefully as it may break when subjected to strong force.
- (4) It is not possible to adjust the semi-fixed resistor that adjusts the laser power. Do not turn it.

1.4 Attention when traverse unit is decomposed

***Please refer to "Disassembly method" in the text for the CD pickup unit.**

- Apply solder to the short land before the flexible wire is disconnected from the connector on the CD pickup unit. (If the flexible wire is disconnected without applying solder, the CD pickup may be destroyed by static electricity.)
- In the assembly, be sure to remove solder from the short land after connecting the flexible wire.



1.5 Important for laser products

1.CLASS 1 LASER PRODUCT


2.DANGER : Invisible laser radiation when open and interlock failed or defeated. Avoid direct exposure to beam.

3.CAUTION : There are no serviceable parts inside the Laser Unit. Do not disassemble the Laser Unit. Replace the complete Laser Unit if it malfunctions.

4.CAUTION : The CD,MD and DVD player uses invisible laser radiation and is equipped with safety switches which prevent emission of radiation when the drawer is open and the safety interlocks have failed or are defeated. It is dangerous to defeat the safety switches.

5.CAUTION : If safety switches malfunction, the laser is able to function.

6.CAUTION : Use of controls, adjustments or performance of procedures other than those specified here in may result in hazardous radiation exposure.

 **CAUTION** Please use enough caution not to see the beam directly or touch it in case of an adjustment or operation check.

CAUTION : Visible and invisible laser radiation when open and interlock failed or defeated.

AVOID DIRECT EXPOSURE TO BEAM.

ADVARSEL : Synlig og usynlig laserstråling når maskinen er åben eller interlocken fejler. Undgå direkte eksponering til stråling.

VARNING : Synlig och osynlig laserstråling när den öppnas och spärren är urkopplad. Betrakta ej strålen.

VARO : Avattaessa ja suojalukitus ohitettuna tai viallisena olet alltiina näkyvälle ja näkymättömälle lasersäteilylle. Vältä säteen kohdistumista suoraan itseesi.

REPRODUCTION AND POSITION OF LABELS

WARNING LABEL

CLASS 1
LASER PRODUCT

CAUTION : Visible and invisible laser radiation when open and interlock failed or defeated. AVOID DIRECT EXPOSURE TO BEAM. (e)

ADVARSEL : Synlig og usynlig laserstråling når maskinen er åben eller interlocken fejler. Undgå direkte eksponering til stråling. (d)

VARNING : Synlig och osynlig laserstråling när den öppnas och spärren är urkopplad. Betrakta ej strålen. (s)

VARO : Avattaessa ja suojalukitus ohitettuna tai viallisena olet alltiina näkyvälle ja näkymättömälle lasersäteilylle. Vältä säteen kohdistumista suoraan itseesi. (f)

**SECTION 2
SPECIFIC SERVICE INSTRUCTIONS**

Please refer to "KD-G501 No.MA038" about this section.

**SECTION 3
DISASSEMBLY**

Please refer to "KD-G501 No.MA038" about this section.

**SECTION 4
ADJUSTMENT**

Please refer to "KD-G501 No.MA038" about this section.

**SECTION 5
TROUBLESHOOTING**

Please refer to "KD-G501 No.MA038" about this section.



JVC

VICTOR COMPANY OF JAPAN, LIMITED

AV & MULTIMEDIA COMPANY CAR ELECTRONICS CATEGORY 10-1,1chome,Ohwatari-machi,Maebashi-city,371-8543,Japan

(No.MA092)



Printed in Japan
WPC

JVC

SCHEMATIC DIAGRAMS

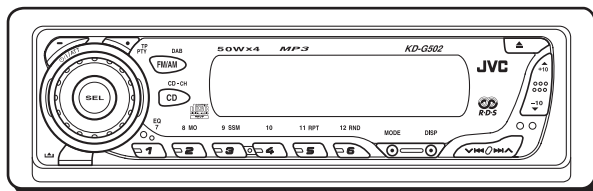
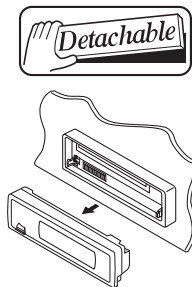
CD RECEIVER

KD-G502

CD-ROM No.SML200404

Area suffix

E ----- Continental Europe
EX ----- Central Europe
EU----- Turkey



MP3



Contents

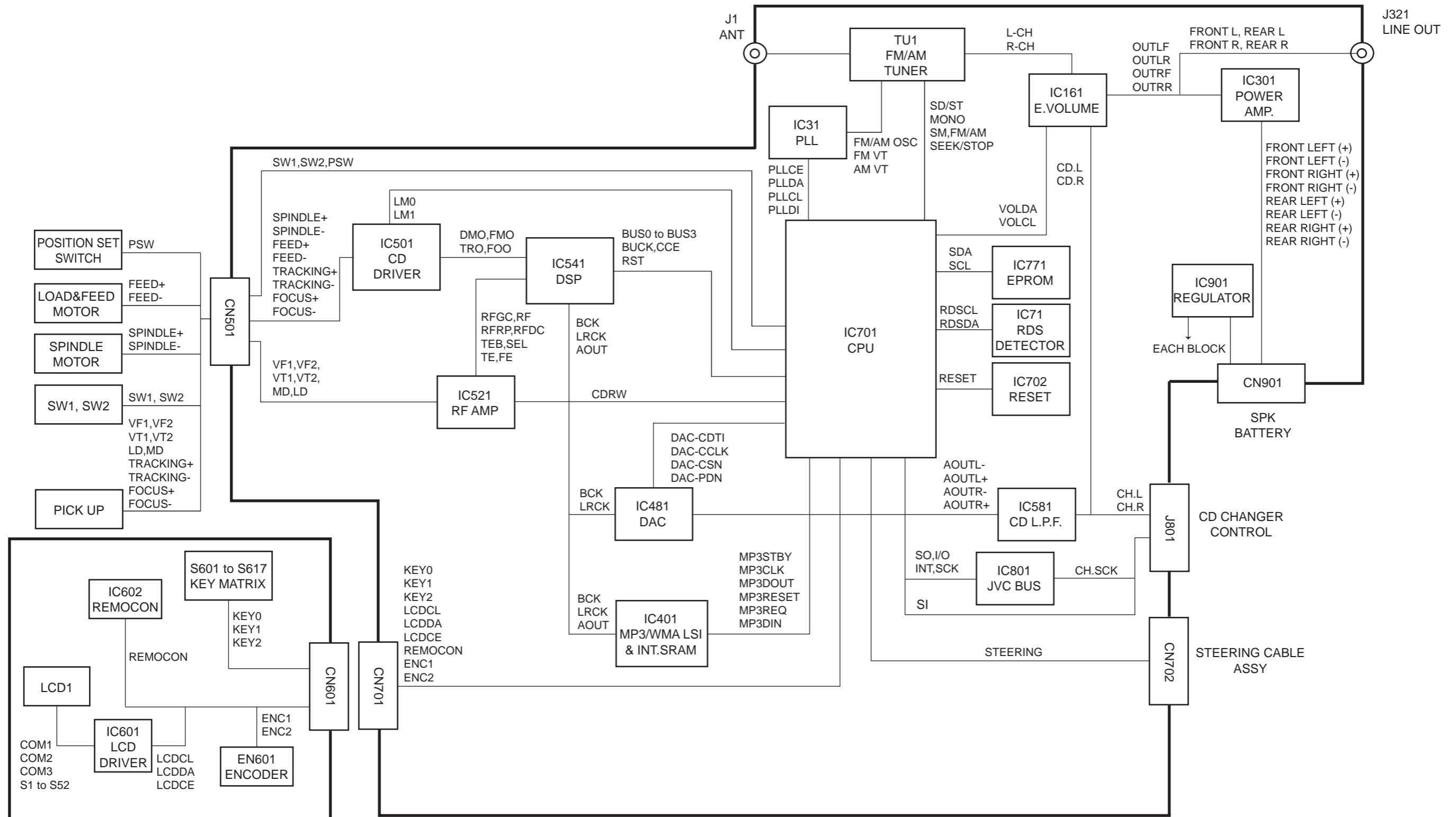
Block diagram	2-1
Standard schematic diagrams	2-2 to 4
Printed circuit boards	2-5 to 7

Safety precaution

 **CAUTION** Burrs formed during molding may be left over on some parts of the chassis. Therefore, pay attention to such burrs in the case of performing repair of this system.

 **CAUTION** Please use enough caution not to see the beam directly or touch it in case of an adjustment or operation check.

Block diagram



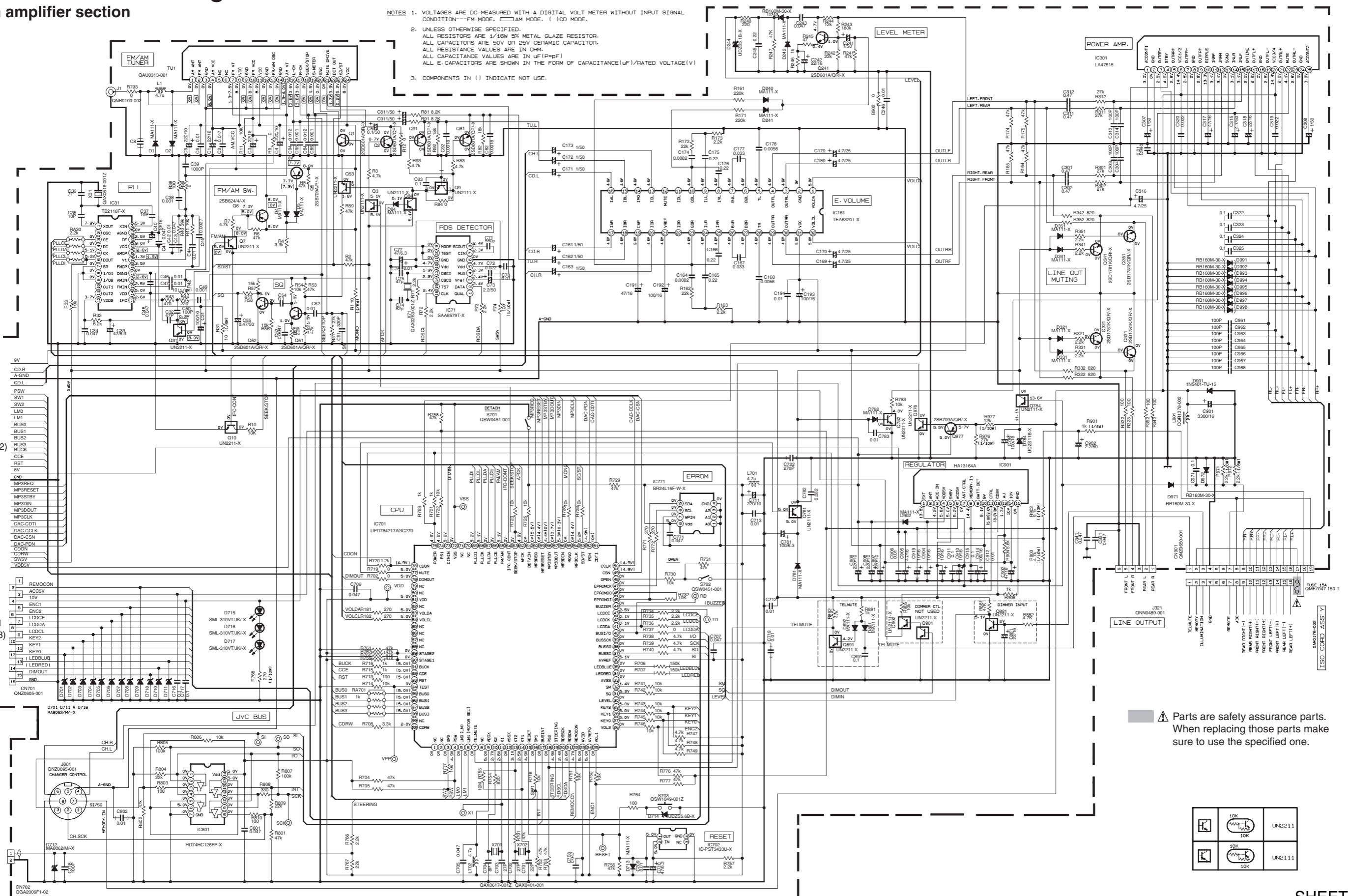
Standard schematic diagrams

■ Main amplifier section

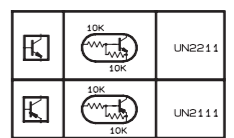
- NOTES
1. VOLTAGES ARE DC-MEASURED WITH A DIGITAL VOLT METER WITHOUT INPUT SIGNAL CONDITION—FM MODE. □ AM MODE. () DC MODE.
 2. UNLESS OTHERWISE SPECIFIED, ALL RESISTORS ARE 1/16W 5% METAL GLAZE RESISTOR. ALL CAPACITORS ARE 50V OR 25V CERAMIC CAPACITOR. ALL RESISTANCE VALUES ARE IN OHM. ALL CAPACITANCE VALUES ARE IN UF(PF)F. ALL E. CAPACITORS ARE SHOWN IN THE FORM OF CAPACITANCE(UF)/RATED VOLTAGE(V).
 3. COMPONENTS IN () INDICATE NOT USE.

(SHEET 2)

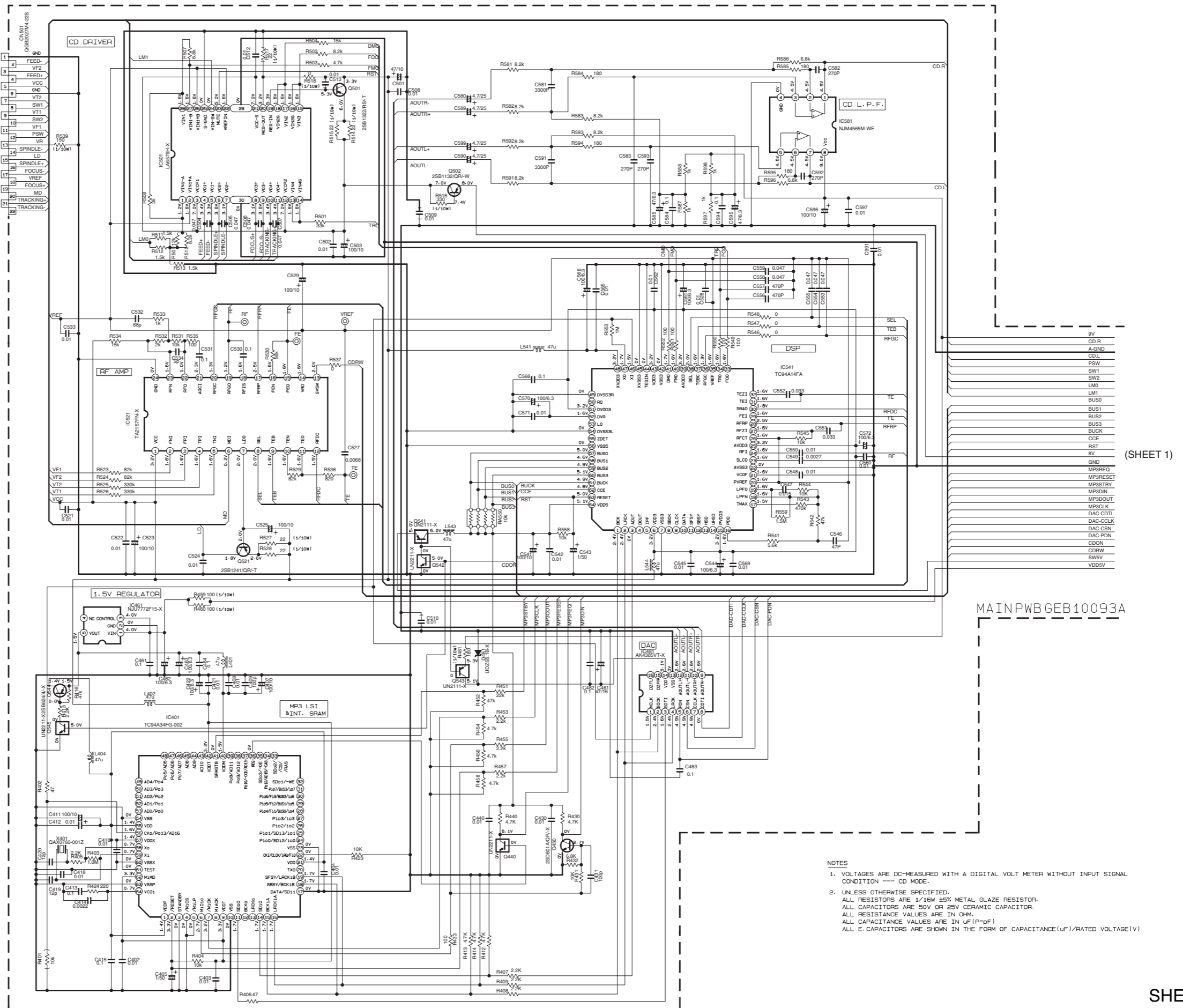
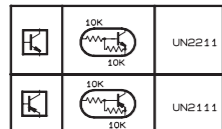
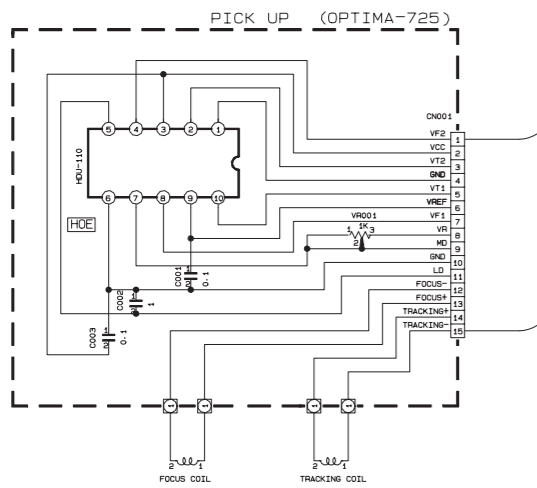
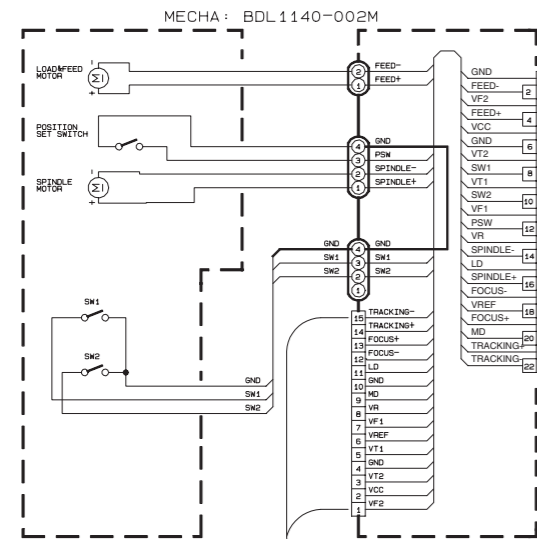
To CN601 (SHEET 3)



▲ Parts are safety assurance parts. When replacing those parts make sure to use the specified one.



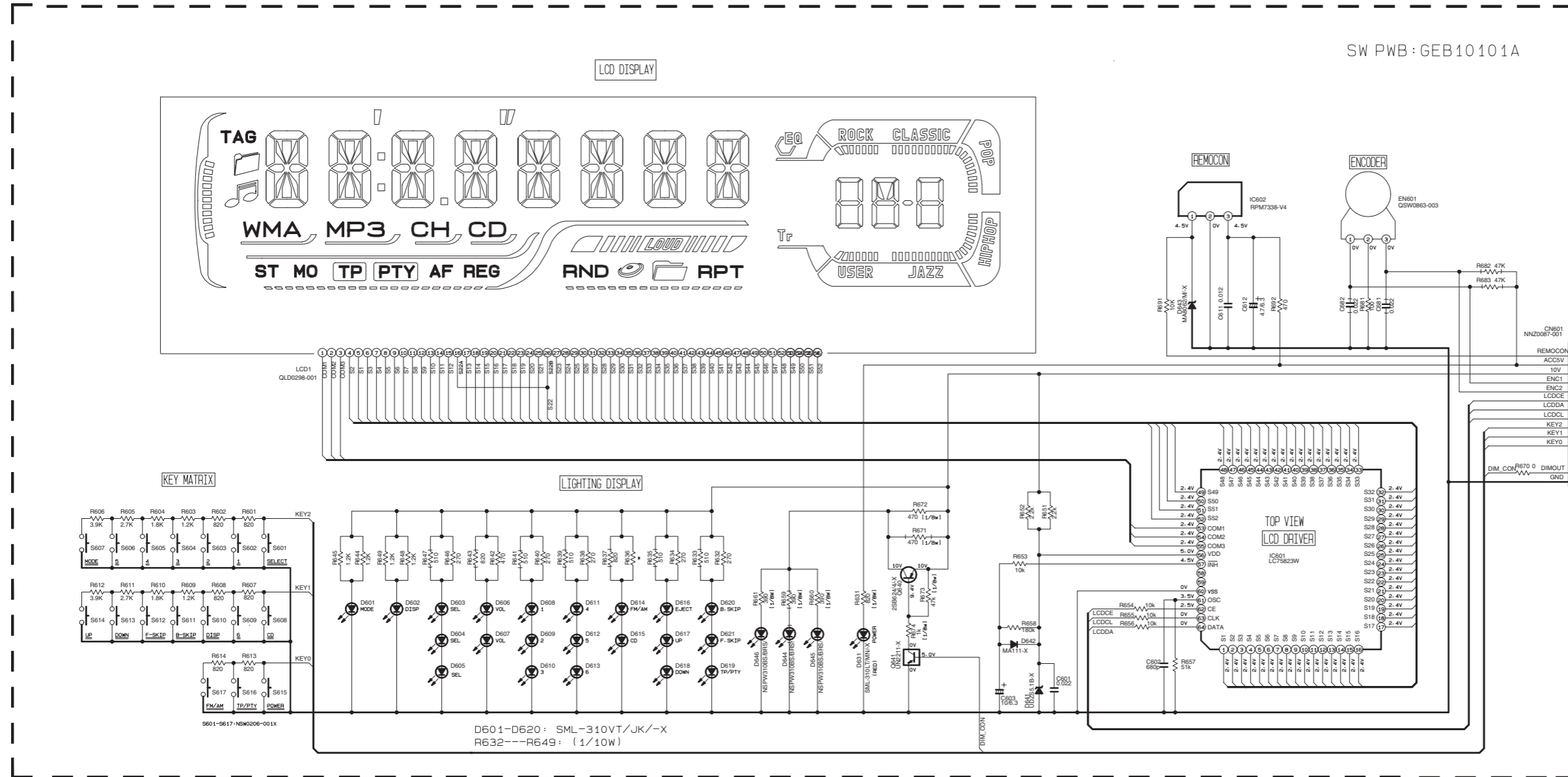
■ CD servo control section



NOTES
 1. VOLTAGES ARE DC-MEASURED WITH A DIGITAL VOLT METER WITHOUT INPUT SIGNAL CONDITION --- CD MODE.
 2. UNLESS OTHERWISE SPECIFIED.
 ALL RESISTORS ARE 1/16W ±5% METAL GLAZE RESISTOR.
 ALL CAPACITORS ARE 50V OR 25V CERAMIC CAPACITOR.
 ALL RESISTANCE VALUES ARE IN OHM.
 ALL CAPACITANCE VALUES ARE IN UF (PpF)
 ALL E-CAPACITORS ARE SHOWN IN THE FORM OF CAPACITANCE(UF)/RATED VOLTAGE(V)

(SHEET 1)

■ LCD & Key control section

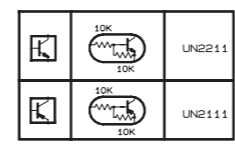


To CN701 (SHEET 1)

* REMARKS

KD-G501E	KD-G502E
R636 820	470

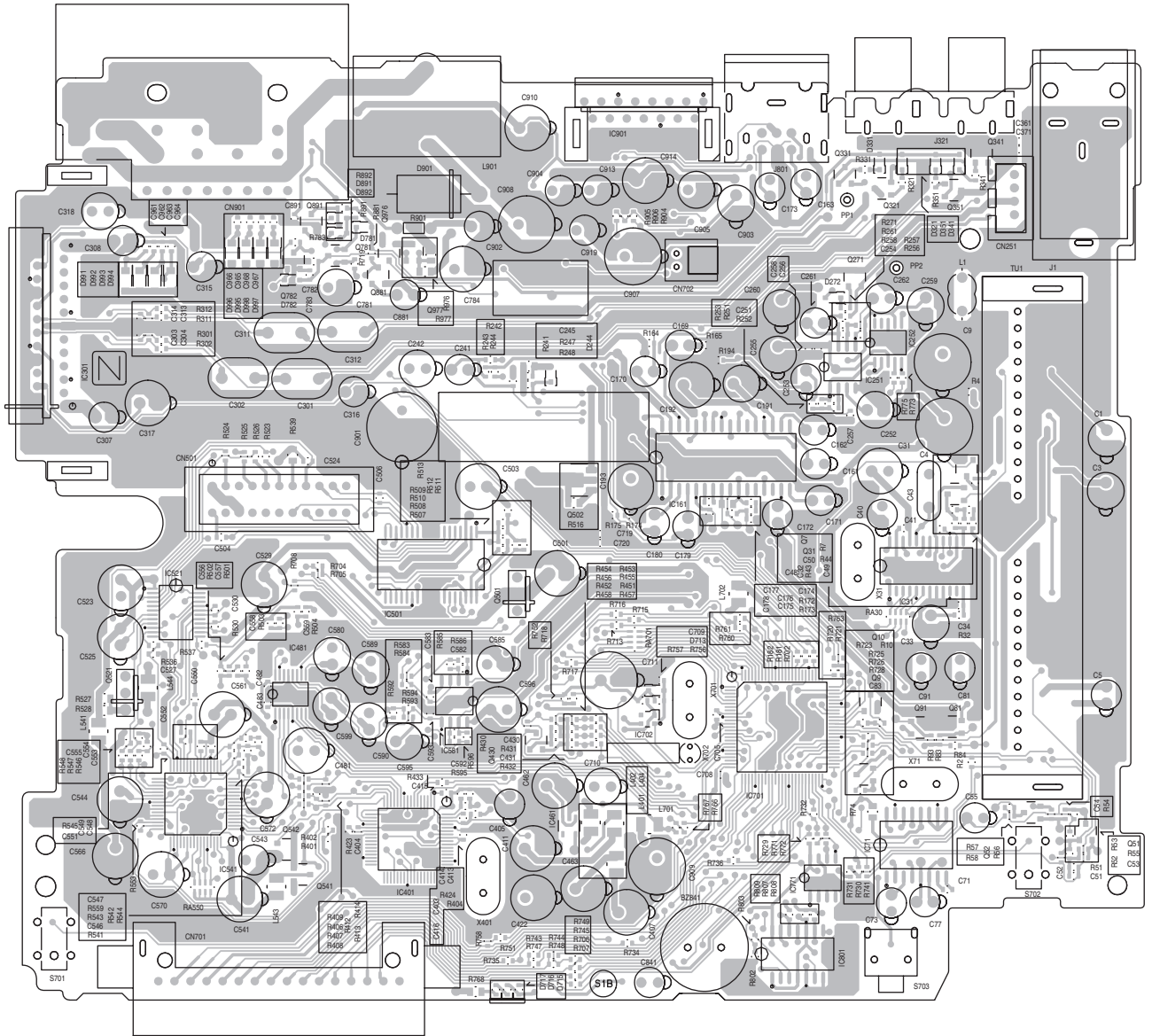
- NOTES
- VOLTAGES ARE DC-MEASURED WITH A DIGITAL VOLT METER WITHOUT INPUT SIGNAL.
 - UNLESS OTHERWISE SPECIFIED, ALL RESISTORS ARE 1/16W METAL GLAZE RESISTORS. ALL CAPACITORS ARE 50V OR 25V CERAMIC CAPACITOR. ALL RESISTANCE VALUES ARE IN OHM. ALL CAPACITANCE VALUES ARE IN uF (P=pF). ALL E-CAPACITORS ARE SHOWN IN THE FORM OF CAPACITANCE(uF)/RATED VOLTAGE(V). T --- TANTALUM CAPACITOR.
 - COMPONENTS IN () INDICATE NOT USE.



Printed circuit boards

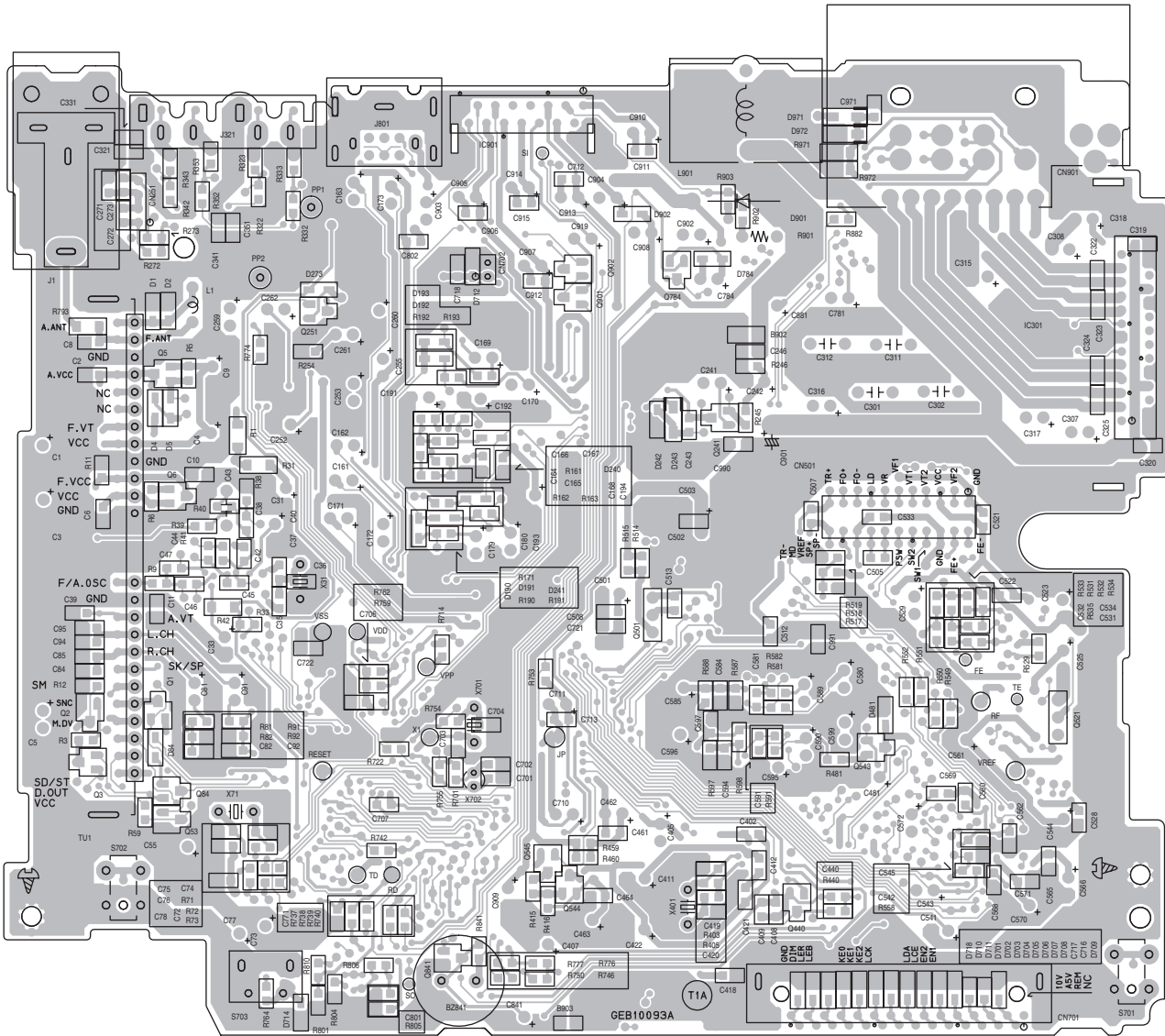
■ Main board

Forward side



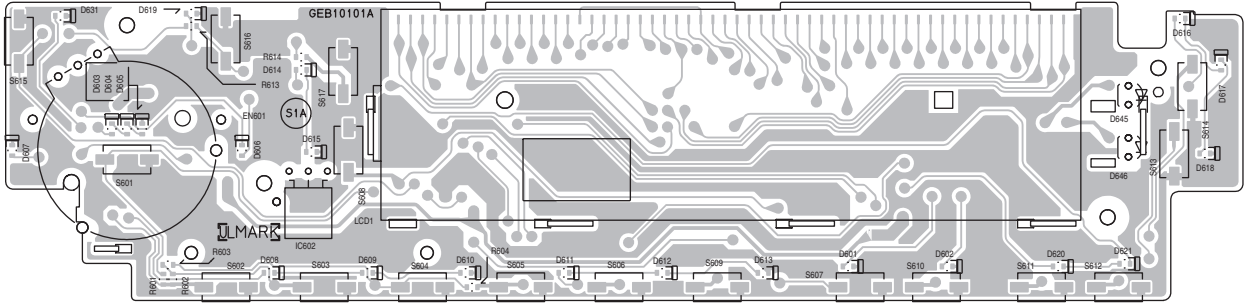
Main board

Reverse side

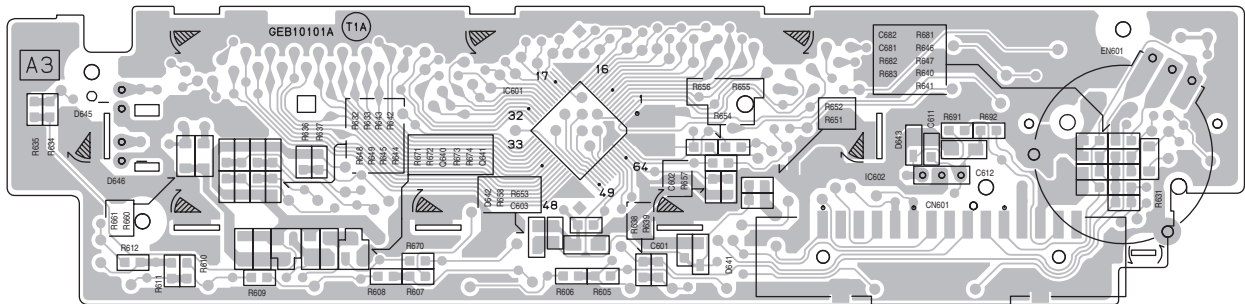


■ Front board

Forward side



Reverse side



JVC

VICTOR COMPANY OF JAPAN, LIMITED

AV & MULTIMEDIA COMPANY CAR ELECTRONICS CATEGORY 10-1,1chome,Ohwatari-machi,Maebashi-city,371-8543,Japan

(No.MA092SCH)



Printed in Japan
WPC

PARTS LIST

[KD-G502]

* All printed circuit boards and its assemblies are not available as service parts.

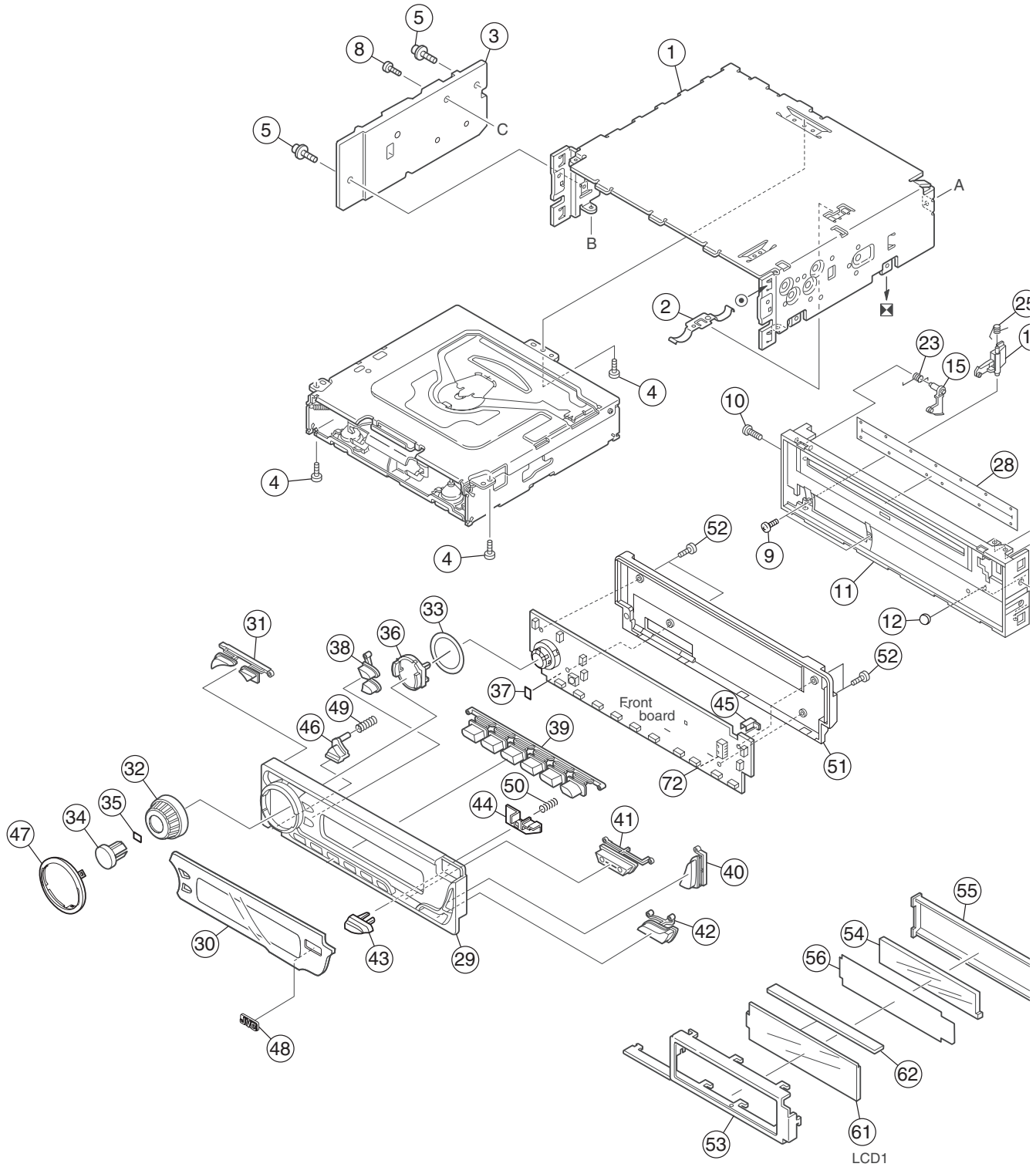
Area suffix	
E	----- Continental Europe
EX	----- Central Europe
EU	-----Turkey

- Contents -

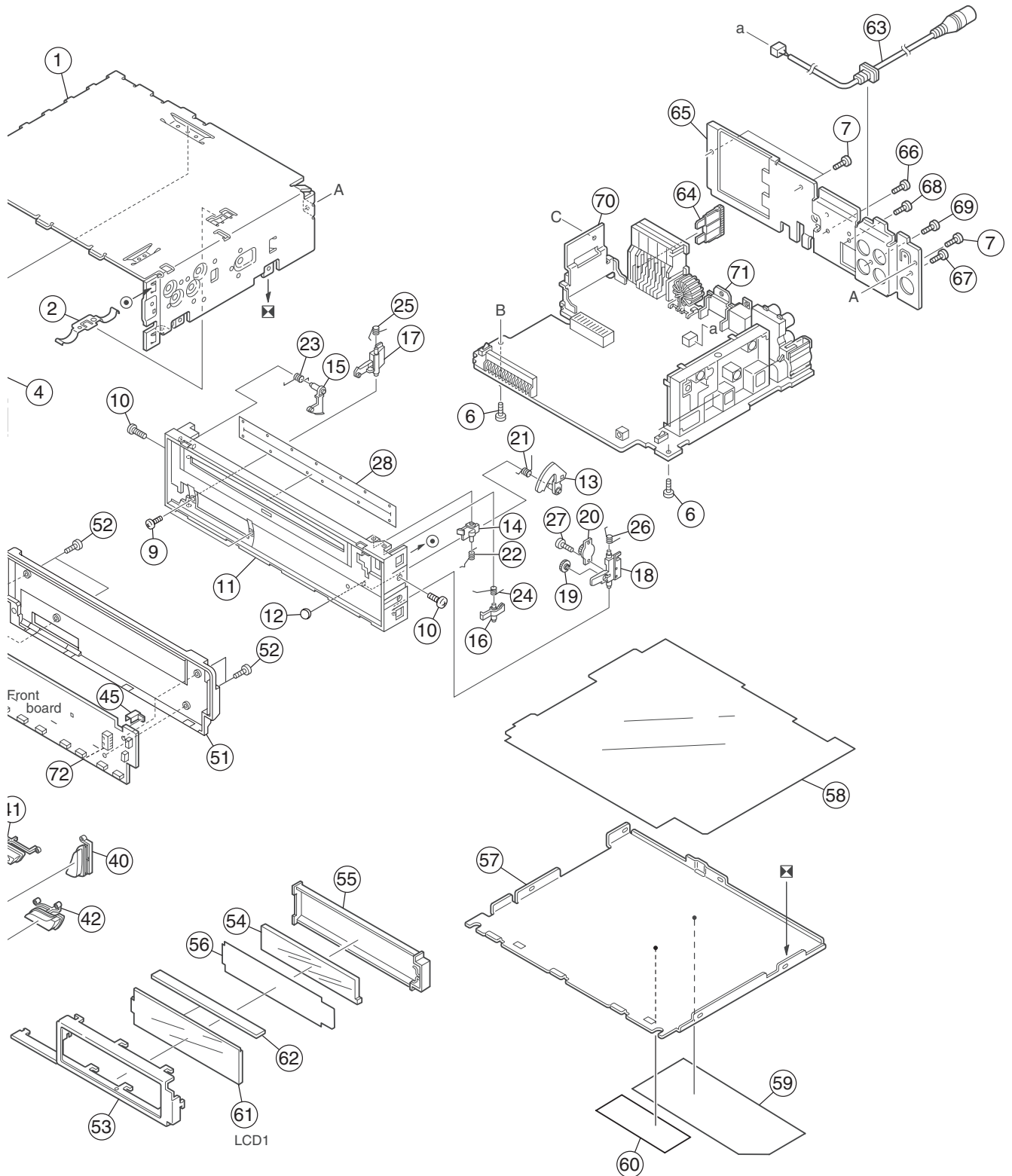
Exploded view of general assembly and parts list (Block No.M1)	-----	3- 2
CD mechanism assembly and parts list (Block No.MB)	-----	3- 5
Electrical parts list (Block No.01~02)	-----	3- 7
Packing materials and accessories parts list (Block No.M3)	-----	3-12

Exploded view of general assembly and parts list

Block No. M 1 M M



Block No. **M 1 M M**



General Assembly

Block No. [M][1][M][M]

Symbol No.	Part No.	Part Name	Description	Local
1	GE10043-210A	TOP CHASSIS		
2	GE40135-001A	EARTH PLATE		
3	GE30938-003A	SIDE PANEL		
4	QYSDST2604Z	SCREW	2.6mm x 4mm(x3)	
5	FSKZ4005-001	SCREW	(x2)	
6	QYSDST2606Z	SCREW	2.6mm x 6mm(x2)	
7	QYSDST2604Z	SCREW	2.6mm x 4mm(x3)	
8	QYSDST2610Z	SCREW	2.6mm x 10mm	
9	QYSDSF2006M	SCREW	2mm x 6mm(x2)	
10	QYSDST2004M	MINI SCREW	2mm x 4mm(x2)	
11	GE30823-003A	F.CHASSIS ASSY		
12	FSYH4036-098	SHEET		
13	GE30827-002A	OPEN LEVER		
14	GE30824-002A	LOCK LEVER(O.L)		
15	GE31245-002A	RELEASE LEVER		
16	GE30829-001A	LOCK LEVER(TOP)		
17	GE30825-002A	LOCK LEVER(L)		
18	GE30828-002A	LOCK LEVER(R)		
19	GE40154-001A	GEAR		
20	QZW0108-002	OIL DAMPER		
21	GE40153-001A	T.SPRING		
22	GE40157-001A	T.SPRING		
23	VKW5264-005	T.SPRING		
24	FSKW4012-002	T.SPRING		
25	VKW5263-002	T.SPRING		
26	GE40155-001A	T.SPRING		
27	QYSDSF2006M	SCREW	2mm x 6mm	
28	GE40156-001A	BLIND		
29	GE10080-007A	FRONT PANEL		
30	GE31048-016A	FINDER ASSY		
31	GE31044-001A	POWER BUTTON		
32	GE31038-003A	VOLUME KNOB		
33	GE40218-002A	SHEET		
34	GE31039-004A	SEL BUTTON		
35	FSYH4036-053	SHEET		
36	GE31040-001A	RIM LENS		
37	FSYH4036-069	SHEET		
38	GE31181-002A	D.FUNC BTN		
39	GE20161-002A	PRESET BUTTON		
40	GE31043-003A	UP/DOWN BTN		
41	GE31028-003A	SSM BTN		
42	GE31025-002A	SEARCH BTN		
43	GE31041-003A	EJECT BUTTON		
44	GE31250-001A	EJECT COVER		
45	GE40220-001A	LIGHT SHEILD		
46	GE31042-003A	DETACH BUTTON		
47	GE31045-001A	RIM COVER		
48	GE40204-001A	JVC BADGE		
49	VKW3001-330	COMP.SPRING		
50	GE40202-004A	COMP.SPRING		
51	GE10081-002A	REAR COVER		
52	VKZ4777-001	MINI SCREW	(x4)	
53	GE31035-001A	LCD CASE		
54	GE31036-001A	LCD LENS		
55	GE31037-001A	LENS CASE		
56	GE40200-003A	LIGHTING SHEET		
57	GE30393-002A	BOTTOM COVER		
58	FSMA3005-001	INSULATOR		
59	GE31366-001A	NAME PLATE		
60	LV41843-002A	LASER CAUTION		
61	QLD0298-001	LCD MODULE		
62	QNZ0442-001	LCD CONNECTOR		
63	QAM0544-002	STEERING CABLE		
△ 64	QMFZ047-150-T	FUSE	15A	
65	GE30912-005A	REAR BRACKET		
66	QYSDST2606Z	SCREW	2.6mm x 6mm	
67	QYSDST2606Z	SCREW	2.6mm x 6mm	
68	QYSDST2606Z	SCREW	2.6mm x 6mm	
69	QYSDSF2606Z	SCREW	2.6mm x 6mm	
70	GE40172-004A	IC BRACKET		
71	GE40124-002A	REG BRACKET		
72	GE30854-001A	LED HOLDER		

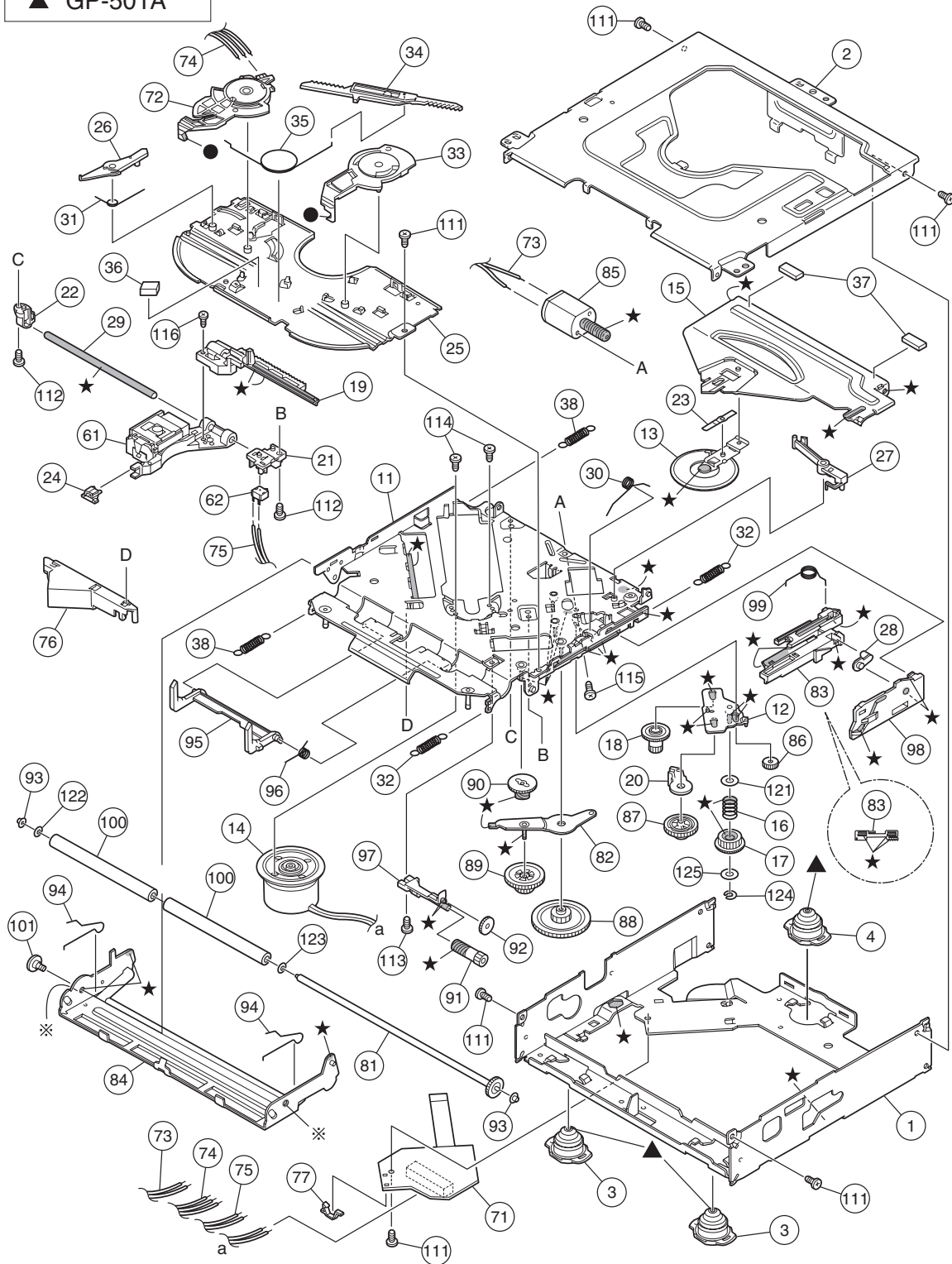
CD mechanism assembly and parts list

Block No. **M** **B** **M** **M**

Grease

- ★ TNG-87
- ※ GP-501MK
- CFD-005Z
- ▲ GP-501A

TN-2001-1011



CD mechanism

Block No. [M][B][M][M]

Symbol No.	Part No.	Part Name	Description	Local
1	30320101T	FRAME		
2	30320102T	TOP COVER		
3	30320115T	DANPER F		
4	30320116T	DANPER R		
11	303205505T	CHASSIS RIVET		
12	303205503T	CHANGE P. RVT A		
13	303205301T	CLAMPER ASS'Y		
14	303205302T	SPINDLE MOTOR A		
15	30320502T	CLAMPER ARM		
16	30320503T	CHANGE GEAR SPG		
17	30320505T	CHANGE GEAR 2		
18	30320506T	FEED GEAR		
19	30320507T	FEED RACK		
20	30320509T	CHANGE LOCK RAR		
21	30320510T	FEED SW HOLDER		
22	30320511T	PU SHAFT HOLDER		
23	30320513T	CLAMPER SUB SPG		
24	30320514T	FD SUB HOLDER		
25	30320518T	TOP PLATE		
26	30320519T	SELECT LOCK ARM		
27	30320520T	TRIGGER ARM		
28	30320521T	SLIDE HOOK		
29	30320522T	PU SHAFT		
30	30320525T	CLAMPER ARM SPG		
31	30320526T	SELECT L ARM SP		
32	30320538T	SUSPENSION SP R		
33	30320529T	SELECT ARM R		
34	30320530T	LINK PLATE		
35	30320531T	LINK PLATE SPG		
36	30320523T	CUSHION F		
37	30320524T	CUSHION R		
38	30320539T	SUSPENSION SP L		
61	69011614T	PICKUP OPT-725		
62	64180406T	DET SW ESE22		
71	303210301T	CONN PWB ASS'Y		
72	30321002T	MODE SW		
73	30321003T	LOAD MOTOR WIRE		
74	30321005T	MODE SW WIRE		
75	30321009T	SL WIRE		
76	30321011T	WIRE HOLDER		
77	19501403T	WIRE CLUMPER		
81	303211301T	ROLLER SHAFT AS		
82	303211501T	L GEAR PLATE RV		
83	303211302T	LOADING PLATE A		
84	303211502T	LOCK ARM RV ASS		
85	303211303T	L/F MOTOR ASS'Y		
86	30321101T	LOADING GEAR 1		
87	30321102T	LOADING GEAR 2		
88	30321103T	LOADING GEAR 3		
89	30321104T	LOADING GEAR 4		
90	30321105T	LOADING GEAR 5		
91	30321106T	LOADING GEAR 6		
92	30321107T	LOADING GEAR 7		
93	30321111T	ROLLER GUIDE		
94	30321114T	ROLLER GUIDE SP		
95	30321116T	DISC STOPPER AR		
96	30321117T	DISC ST ARM SPG		
97	30321118T	LD GEAR BRACKET		
98	30321125T	L SIDE PLATE		
99	30321131T	LOAD PLATE SPG		
100	30321133T	LDG ROLLER		
101	18211223T	COLLAR SCREW		
111	9P0420031T	SCREW		
112	9P0420041T	TAP.SCREW		
113	9B0320041T	SCREW		
114	9C0117183T	SCREW		
115	9C0120203T	SCREW		
116	9C0317503T	SCREW		
121	9W0130170T	PW 3.5X8X0.3		
122	9W0513060T	HL WASHER		
123	9W0710070T	L WASHER		
124	9E0100152T	E RING		
125	9W0113020T	PW 2.1X4X0.13		

Electrical parts list

Main board

Block No. [0][1][0][0]

△ Symbol No.	Part No.	Part Name	Description	Local
IC31	TB2118F-X	PLL IC		
IC71	SAA6579T-X	IC		
IC161	TEA6320T-X	IC		
IC301	LA47515	IC		
IC401	TC94A34FG-002	IC		
IC461	NJU7772F15-X	IC		
IC481	AK4385VT-X	IC		
IC501	LA6579H-X	IC		
IC521	TA2157FN-X	RF AMP IC		
IC541	TC94A14FA	CD LSI IC		
IC581	NJM4565M-WE	IC		
IC701	UPD784217AGC270	IC		
IC702	IC-PST3433U-X	IC		
IC771	BR24L16F-W-X	IC		
IC801	HD74HC126FP-X	IC		
IC901	HA13164A	IC		
Q1	2SD601A/QR/-X	TRANSISTOR		
Q2	2SD601A/QR/-X	TRANSISTOR		
Q3	UN2111-X	TRANSISTOR		
Q5	2SB709A/R/-X	TRANSISTOR		
Q6	2SB624/4/-X	TRANSISTOR		
Q7	UN2211-X	TRANSISTOR		
Q10	UN2211-X	TRANSISTOR		
Q31	UN2211-X	TRANSISTOR		
Q51	2SD601A/QR/-X	TRANSISTOR		
Q52	2SD601A/QR/-X	TRANSISTOR		
Q53	UN2211-X	TRANSISTOR		
Q81	2SD601A/QR/-X	TRANSISTOR		
Q84	UN2111-X	TRANSISTOR		
Q91	2SD601A/QR/-X	TRANSISTOR		
Q241	2SD601A/QR/-X	TRANSISTOR		
Q321	2SD1781K/QR/-X	TRANSISTOR		
Q331	2SD1781K/QR/-X	TRANSISTOR		
Q341	2SD1781K/QR/-X	TRANSISTOR		
Q351	2SD1781K/QR/-X	TRANSISTOR		
Q430	2SD601A/QR/-X	TRANSISTOR		
Q440	UN2211-X	TRANSISTOR		
Q501	2SB1322/RS/-T	TRANSISTOR		
Q502	2SB1132/QR/-W	TRANSISTOR		
Q521	2SB1241/QR/-T	TRANSISTOR		
Q541	UN2111-X	TRANSISTOR		
Q542	UN2211-X	TRANSISTOR		
Q543	UN2111-X	TRANSISTOR		
Q544	2SB624/4/-X	TRANSISTOR		
Q545	UN2211-X	TRANSISTOR		
Q781	UN2111-X	TRANSISTOR		
Q782	UN2211-X	TRANSISTOR		
Q784	UN2111-X	TRANSISTOR		
Q881	UN2211-X	TRANSISTOR		
Q891	UN2211-X	TRANSISTOR		
Q976	UN2211-X	TRANSISTOR		
Q977	2SB709A/QR/-X	TRANSISTOR		
D1	MA111-X	SI DIODE		
D2	MA111-X	SI DIODE		
D4	MA111-X	SI DIODE		
D5	MA111-X	SI DIODE		
D84	MA111-X	SI DIODE		
D240	MA111-X	SI DIODE		
D241	MA111-X	SI DIODE		
D242	MA111-X	SI DIODE		
D243	RB160M-30-X	SB DIODE		
D244	UDZS5.1B-X	Z DIODE		
D321	MA111-X	SI DIODE		
D331	MA111-X	SI DIODE		
D341	MA111-X	SI DIODE		
D351	MA111-X	SI DIODE		
D481	UDZS5.1B-X	Z DIODE		
D701	MA8062/M/-X	Z DIODE		
D702	MA8062/M/-X	Z DIODE		
D703	MA8062/M/-X	Z DIODE		

△ Symbol No.	Part No.	Part Name	Description	Local
D704	MA8062/M/-X	Z DIODE		
D705	MA8062/M/-X	Z DIODE		
D706	MA8062/M/-X	Z DIODE		
D707	MA8062/M/-X	Z DIODE		
D708	MA8062/M/-X	Z DIODE		
D709	MA8062/M/-X	Z DIODE		
D710	MA8062/M/-X	Z DIODE		
D711	MA8062/M/-X	Z DIODE		
D712	MA8062/M/-X	Z DIODE		
D713	MA111-X	SI DIODE		
D714	UDZS5.6B-X	Z DIODE	1.5kΩ 1/10W J	
D715	SML-310VT/JK/-X	LED		
D716	SML-310VT/JK/-X	LED		
D717	SML-310VT/JK/-X	LED		
D718	MA8062/M/-X	Z DIODE		
D781	MA111-X	SI DIODE		
D782	MA111-X	SI DIODE		
D784	UDZS11B-X	Z DIODE		
D891	MA111-X	SI DIODE		
D892	MA111-X	SI DIODE		
D901	1N5401-TU-15	DIODE		
D902	MA111-X	SI DIODE		
D971	RB160M-30-X	SB DIODE		
D972	RB160M-30-X	SB DIODE		
C1	QEKJ1CM-226Z	E CAPACITOR	22uF 16V M	
C2	NCB31EK-473X	C CAPACITOR	0.047uF 25V K	
C3	QEKJ1CM-226Z	E CAPACITOR	22uF 16V M	
C4	QEKJ1AM-227Z	E CAPACITOR	220uF 10V M	
C5	QEKJ1HM-104Z	E CAPACITOR	0.1uF 50V M	
C6	NCB31HK-103X	C CAPACITOR	0.01uF 50V K	
C9	QEKJ1AM-227Z	E CAPACITOR	220uF 10V M	
C31	QEKJ1AM-107Z	E CAPACITOR	100uF 10V M	
C32	NDC31HJ-470X	C CAPACITOR	47pF 50V J	
C33	QEKJ0JM-476Z	E CAPACITOR	47uF 6.3V M	
C34	NCB31EK-473X	C CAPACITOR	0.047uF 25V K	
C35	NDC31HJ-100X	C CAPACITOR	10pF 50V J	
C36	NDC31HJ-7R0X	C CAPACITOR	7pF 50V J	
C37	NDC31HJ-100X	C CAPACITOR	10pF 50V J	
C38	NCB31HK-102X	C CAPACITOR	1000pF 50V K	
C39	NCB31HK-102X	C CAPACITOR	1000pF 50V K	
C40	QEKJ1CM-106Z	E CAPACITOR	10uF 16V M	
C41	NCB31EK-473X	C CAPACITOR	0.047uF 25V K	
C42	NCB31HK-103X	C CAPACITOR	0.01uF 50V K	
C43	QFV61HJ-473Z	MF CAPACITOR	0.047uF 50V J	
C44	NCB31HK-103X	C CAPACITOR	0.01uF 50V K	
C45	NCB31HK-272X	C CAPACITOR	2700pF 50V K	
C46	NCB31HK-103X	C CAPACITOR	0.01uF 50V K	
C47	NCB31HK-103X	C CAPACITOR	0.01uF 50V K	
C48	NCB31EK-473X	C CAPACITOR	0.047uF 25V K	
C49	NCB31HK-102X	C CAPACITOR	1000pF 50V K	
C50	NDC31HJ-101X	C CAPACITOR	100pF 50V J	
C51	NDC31HJ-331X	C CAPACITOR	330pF 50V J	
C52	NCB31HK-103X	C CAPACITOR	0.01uF 50V K	
C53	NCB31EK-472X	C CAPACITOR	4700pF 25V K	
C54	NCB31EK-104X	C CAPACITOR	0.1uF 25V K	
C55	QEKJ1HM-474Z	E CAPACITOR	0.47uF 50V M	
C71	NDC31HJ-561X	C CAPACITOR	560pF 50V J	
C72	NCB31EK-223X	C CAPACITOR	0.022uF 25V K	
C73	QEKJ1HM-225Z	E CAPACITOR	2.2uF 50V M	
C74	NDC31HJ-820X	C CAPACITOR	82pF 50V J	
C75	NDC31HJ-470X	C CAPACITOR	47pF 50V J	
C76	NCB31HK-103X	C CAPACITOR	0.01uF 50V K	
C77	QEKJ0JM-476Z	E CAPACITOR	47uF 6.3V M	
C78	NCB31HK-103X	C CAPACITOR	0.01uF 50V K	
C81	QEKJ1HM-105Z	E CAPACITOR	1uF 50V M	
C82	NCB31HK-182X	C CAPACITOR	1800pF 50V K	
C83	NCB31EK-104X	C CAPACITOR	0.1uF 25V K	
C84	NCB31HK-123X	C CAPACITOR	0.012uF 50V K	
C85	NCB31HK-102X	C CAPACITOR	1000pF 50V K	
C91	QEKJ1HM-105Z	E CAPACITOR	1uF 50V M	
C92	NCB31HK-182X	C CAPACITOR	1800pF 50V K	
C94	NCB31HK-123X	C CAPACITOR	0.012uF 50V K	
C95	NCB31HK-102X	C CAPACITOR	1000pF 50V K	
C161	QEKJ1HM-105Z	E CAPACITOR	1uF 50V M	
C162	QEKJ1HM-105Z	E CAPACITOR	1uF 50V M	

△ Symbol No.	Part No.	Part Name	Description	Local	△ Symbol No.	Part No.	Part Name	Description	Local
C163	QEKJ1HM-105Z	E CAPACITOR	1uF 50V M		C502	NCB31HK-103X	C CAPACITOR	0.01uF 50V K	
C164	NCB31HK-822X	C CAPACITOR	8200pF 50V K		C503	QEKJ1AM-107Z	E CAPACITOR	100uF 10V M	
C165	NCB31CK-224X	C CAPACITOR	0.22uF 16V K		C504	NCB31EK-473X	C CAPACITOR	0.047uF 25V K	
C166	NCB21CK-224X	C CAPACITOR	0.22uF 16V K		C505	NCB31EK-473X	C CAPACITOR	0.047uF 25V K	
C167	NCB31EK-333X	C CAPACITOR	0.033uF 25V K		C506	NCB31EK-473X	C CAPACITOR	0.047uF 25V K	
C168	NCB31HK-562X	C CAPACITOR	5600pF 50V K		C507	NCB31EK-473X	C CAPACITOR	0.047uF 25V K	
C169	QEKJ1EM-475Z	E CAPACITOR	4.7uF 25V M		C508	NCB31HK-103X	C CAPACITOR	0.01uF 50V K	
C170	QEKJ1EM-475Z	E CAPACITOR	4.7uF 25V M		C512	NCB31HK-103X	C CAPACITOR	0.01uF 50V K	
C171	QEKJ1HM-105Z	E CAPACITOR	1uF 50V M		C521	NCB31HK-103X	C CAPACITOR	0.01uF 50V K	
C172	QEKJ1HM-105Z	E CAPACITOR	1uF 50V M		C522	NCB31HK-103X	C CAPACITOR	0.01uF 50V K	
C173	QEKJ1HM-105Z	E CAPACITOR	1uF 50V M		C523	QEKJ1AM-107Z	E CAPACITOR	100uF 10V M	
C174	NCB31HK-822X	C CAPACITOR	8200pF 50V K		C524	NCB31HK-103X	C CAPACITOR	0.01uF 50V K	
C175	NCB31CK-224X	C CAPACITOR	0.22uF 16V K		C525	QEKJ1AM-107Z	E CAPACITOR	100uF 10V M	
C176	NCB21CK-224X	C CAPACITOR	0.22uF 16V K		C527	NCB31HK-682X	C CAPACITOR	6800pF 50V K	
C177	NCB31EK-333X	C CAPACITOR	0.033uF 25V K		C528	NCB31HK-103X	C CAPACITOR	0.01uF 50V K	
C178	NCB31HK-562X	C CAPACITOR	5600pF 50V K		C529	QERF1AM-107Z	E CAPACITOR	100uF 10V M	
C179	QEKJ1EM-475Z	E CAPACITOR	4.7uF 25V M		C530	NCB31EK-104X	C CAPACITOR	0.1uF 25V K	
C180	QEKJ1EM-475Z	E CAPACITOR	4.7uF 25V M		C531	NCB31EK-104X	C CAPACITOR	0.1uF 25V K	
C191	QEKJ1CM-476Z	E CAPACITOR	47uF 16V M		C532	NDC31HJ-680X	C CAPACITOR	68pF 50V J	
C192	QEKJ1CM-107Z	E CAPACITOR	100uF 16V M		C533	NCB31HK-103X	C CAPACITOR	0.01uF 50V K	
C193	QEKJ1CM-107Z	E CAPACITOR	100uF 16V M		C534	NDC31HJ-5R0X	C CAPACITOR	5pF 50V J	
C194	NCB31EK-103X	C CAPACITOR	0.01uF 25V K		C541	QEKJ1AM-107Z	E CAPACITOR	100uF 10V M	
C241	QEKJ1HM-105Z	E CAPACITOR	1uF 50V M		C542	NCB31HK-103X	C CAPACITOR	0.01uF 50V K	
C242	QEKJ1CM-226Z	E CAPACITOR	22uF 16V M		C543	QEKJ1HM-105Z	E CAPACITOR	1uF 50V M	
C243	NCB31EK-473X	C CAPACITOR	0.047uF 25V K		C544	QEKJ0JM-107Z	E CAPACITOR	100uF 6.3V M	
C245	NCB21CK-224X	C CAPACITOR	0.22uF 16V K		C545	NCB31HK-103X	C CAPACITOR	0.01uF 50V K	
C246	NCB31HK-103X	C CAPACITOR	0.01uF 50V K		C546	NDC31HJ-470X	C CAPACITOR	47pF 50V J	
C301	QFV61HJ-474Z	MF CAPACITOR	0.47uF 50V J		C547	NCB31HK-153X	C CAPACITOR	0.015uF 50V K	
C302	QFV61HJ-474Z	MF CAPACITOR	0.47uF 50V J		C548	NCB31HK-103X	C CAPACITOR	0.01uF 50V K	
C303	NDC31HJ-101X	C CAPACITOR	100pF 50V J		C549	NCB31HK-272X	C CAPACITOR	2700pF 50V K	
C304	NDC31HJ-101X	C CAPACITOR	100pF 50V J		C550	NCB31HK-103X	C CAPACITOR	0.01uF 50V K	
C307	QEKJ1HM-105Z	E CAPACITOR	1uF 50V M		C551	NCB31EK-333X	C CAPACITOR	0.033uF 25V K	
C308	QEKJ1HM-105Z	E CAPACITOR	1uF 50V M		C552	NCB31EK-333X	C CAPACITOR	0.033uF 25V K	
C311	QFV61HJ-474Z	MF CAPACITOR	0.47uF 50V J		C553	NCB31EK-473X	C CAPACITOR	0.047uF 25V K	
C312	QFV61HJ-474Z	MF CAPACITOR	0.47uF 50V J		C554	NCB31EK-473X	C CAPACITOR	0.047uF 25V K	
C313	NDC31HJ-101X	C CAPACITOR	100pF 50V J		C555	NCB31EK-473X	C CAPACITOR	0.047uF 25V K	
C314	NDC31HJ-101X	C CAPACITOR	100pF 50V J		C556	NCB31HK-471X	C CAPACITOR	470pF 50V K	
C315	QEKJ1HM-475Z	E CAPACITOR	4.7uF 50V M		C557	NCB31HK-471X	C CAPACITOR	470pF 50V K	
C316	QEKJ1EM-475Z	E CAPACITOR	4.7uF 25V M		C558	NCB31EK-473X	C CAPACITOR	0.047uF 25V K	
C317	QEKJ1CM-476Z	E CAPACITOR	47uF 16V M		C559	NCB31EK-473X	C CAPACITOR	0.047uF 25V K	
C318	QEDJ1CM-226Z	E CAPACITOR	22uF 16V M		C560	NCB31HK-103X	C CAPACITOR	0.01uF 50V K	
C319	NCB31EK-223X	C CAPACITOR	0.022uF 25V K		C561	QEKJ0JM-107Z	E CAPACITOR	100uF 6.3V M	
C320	NCB31EK-223X	C CAPACITOR	0.022uF 25V K		C562	NCB31HK-103X	C CAPACITOR	0.01uF 50V K	
C321	NCB31EK-473X	C CAPACITOR	0.047uF 25V K		C565	NCB31HK-103X	C CAPACITOR	0.01uF 50V K	
C322	NCB31EK-104X	C CAPACITOR	0.1uF 25V K		C566	QEKJ0JM-107Z	E CAPACITOR	100uF 6.3V M	
C323	NCB31EK-104X	C CAPACITOR	0.1uF 25V K		C568	NCB31EK-104X	C CAPACITOR	0.1uF 25V K	
C324	NCB31EK-104X	C CAPACITOR	0.1uF 25V K		C569	NCB31HK-103X	C CAPACITOR	0.01uF 50V K	
C325	NCB31EK-104X	C CAPACITOR	0.1uF 25V K		C570	QEKJ0JM-107Z	E CAPACITOR	100uF 6.3V M	
C341	NCB31EK-473X	C CAPACITOR	0.047uF 25V K		C571	NCB31HK-103X	C CAPACITOR	0.01uF 50V K	
C402	NCB31HK-103X	C CAPACITOR	0.01uF 50V K		C572	QEKJ0JM-107Z	E CAPACITOR	100uF 6.3V M	
C403	NCB31HK-103X	C CAPACITOR	0.01uF 50V K		C580	QEKJ1EM-475Z	E CAPACITOR	4.7uF 25V M	
C404	NCB31HK-103X	C CAPACITOR	0.01uF 50V K		C581	NCB31HK-332X	C CAPACITOR	3300pF 50V K	
C405	QEKJ1HM-105Z	E CAPACITOR	1uF 50V M		C582	NDC31HJ-271X	C CAPACITOR	270pF 50V J	
C407	QEKJ1AM-107Z	E CAPACITOR	100uF 10V M		C583	NDC31HJ-271X	C CAPACITOR	270pF 50V J	
C408	NCB31HK-103X	C CAPACITOR	0.01uF 50V K		C584	NCB31EK-104X	C CAPACITOR	0.1uF 25V K	
C409	NDC31HJ-101X	C CAPACITOR	100pF 50V J		C585	QEKJ0JM-476Z	E CAPACITOR	47uF 6.3V M	
C411	QEKJ1AM-107Z	E CAPACITOR	100uF 10V M		C589	QEKJ1EM-475Z	E CAPACITOR	4.7uF 25V M	
C412	NCB31HK-103X	C CAPACITOR	0.01uF 50V K		C590	QEKJ1EM-475Z	E CAPACITOR	4.7uF 25V M	
C413	NCB31EK-104X	C CAPACITOR	0.1uF 25V K		C591	NCB31HK-332X	C CAPACITOR	3300pF 50V K	
C414	NCB31HK-222X	C CAPACITOR	2200pF 50V K		C592	NDC31HJ-271X	C CAPACITOR	270pF 50V J	
C415	NCB31EK-104X	C CAPACITOR	0.1uF 25V K		C593	NDC31HJ-271X	C CAPACITOR	270pF 50V J	
C416	NCB31HK-103X	C CAPACITOR	0.01uF 50V K		C594	NCB31EK-104X	C CAPACITOR	0.1uF 25V K	
C418	NCB31HK-103X	C CAPACITOR	0.01uF 50V K		C595	QEKJ0JM-476Z	E CAPACITOR	47uF 6.3V M	
C419	NDC31HJ-120X	C CAPACITOR	12pF 50V J		C596	QEKJ1AM-107Z	E CAPACITOR	100uF 10V M	
C420	NDC31HJ-120X	C CAPACITOR	12pF 50V J		C597	NCB31HK-103X	C CAPACITOR	0.01uF 50V K	
C421	NCB31HK-103X	C CAPACITOR	0.01uF 50V K		C599	QEKJ1EM-475Z	E CAPACITOR	4.7uF 25V M	
C422	QEKJ0JM-107Z	E CAPACITOR	100uF 6.3V M		C701	NDC31HJ-220X	C CAPACITOR	22pF 50V J	
C430	NCB31HK-103X	C CAPACITOR	0.01uF 50V K		C702	NDC31HJ-270X	C CAPACITOR	27pF 50V J	
C431	NDC31HJ-101X	C CAPACITOR	100pF 50V J		C703	NDC31HJ-270X	C CAPACITOR	27pF 50V J	
C440	NCB31HK-103X	C CAPACITOR	0.01uF 50V K		C704	NDC31HJ-8R0X	C CAPACITOR	8pF 50V J	
C461	NCB31EK-104X	C CAPACITOR	0.1uF 25V K		C705	NCB31EK-473X	C CAPACITOR	0.047uF 25V K	
C462	QEKJ0JM-107Z	E CAPACITOR	100uF 6.3V M		C706	NCB31EK-473X	C CAPACITOR	0.047uF 25V K	
C463	QEKJ0JM-107Z	E CAPACITOR	100uF 6.3V M		C707	NCB31EK-473X	C CAPACITOR	0.047uF 25V K	
C464	NCB31EK-104X	C CAPACITOR	0.1uF 25V K		C708	NCB31EK-473X	C CAPACITOR	0.047uF 25V K	
C481	QEKJ1CM-476Z	E CAPACITOR	47uF 16V M		C709	NCB31HK-103X	C CAPACITOR	0.01uF 50V K	
C482	NCB31EK-104X	C CAPACITOR	0.1uF 25V K		C710	QEKJ0JM-476Z	E CAPACITOR	47uF 6.3V M	
C483	NCB31EK-104X	C CAPACITOR	0.1uF 25V K		C711	QEKJ1AM-227Z	E CAPACITOR	220uF 10V M	
C501	QEDJ1AM-476Z	E CAPACITOR	47uF 10V M		C712	NCB31HK-103X	C CAPACITOR	0.01uF 50V K	

△ Symbol No.	Part No.	Part Name	Description	Local	△ Symbol No.	Part No.	Part Name	Description	Local
C713	NCB31EK-103X	C CAPACITOR	0.01uF 25V K		R93	NRSA63J-472X	MG RESISTOR	4.7kΩ 1/16W J	
C716	NCB31EK-104X	C CAPACITOR	0.1uF 25V K		R161	NRSA63J-224X	MG RESISTOR	220kΩ 1/16W J	
C717	NCB31EK-104X	C CAPACITOR	0.1uF 25V K		R162	NRSA63J-223X	MG RESISTOR	22kΩ 1/16W J	
C718	NDC31HJ-101X	C CAPACITOR	100pF 50V J		R163	NRSA63J-222X	MG RESISTOR	2.2kΩ 1/16W J	
C771	NCB31EK-473X	C CAPACITOR	0.047uF 25V K		R164	NRSA63J-473X	MG RESISTOR	47kΩ 1/16W J	
C781	QEKJ0JM-107Z	E CAPACITOR	100uF 6.3V M		R165	NRSA63J-473X	MG RESISTOR	47kΩ 1/16W J	
C782	NCB31EK-823X	C CAPACITOR	0.082uF 25V K		R171	NRSA63J-224X	MG RESISTOR	220kΩ 1/16W J	
C783	NCB31EK-103X	C CAPACITOR	0.01uF 25V K		R172	NRSA63J-223X	MG RESISTOR	22kΩ 1/16W J	
C784	QEKJ1CM-107Z	E CAPACITOR	100uF 16V M		R173	NRSA63J-222X	MG RESISTOR	2.2kΩ 1/16W J	
C801	NCB31EK-473X	C CAPACITOR	0.047uF 25V K		R174	NRSA63J-473X	MG RESISTOR	47kΩ 1/16W J	
C881	QEKJ1CM-226Z	E CAPACITOR	22uF 16V M		R175	NRSA63J-473X	MG RESISTOR	47kΩ 1/16W J	
C891	NCB31EK-104X	C CAPACITOR	0.1uF 25V K		R181	NRSA63J-271X	MG RESISTOR	270Ω 1/16W J	
C901	QEZO625-338	E CAPACITOR	3300uF		R182	NRSA63J-271X	MG RESISTOR	270Ω 1/16W J	
C902	QEKJ1HM-225Z	E CAPACITOR	2.2uF 50V M		R241	NRSA63J-473X	MG RESISTOR	47kΩ 1/16W J	
C903	QEKJ1CM-476Z	E CAPACITOR	47uF 16V M		R242	NRSA63J-223X	MG RESISTOR	22kΩ 1/16W J	
C904	QEKJ1CM-106Z	E CAPACITOR	10uF 16V M		R243	NRSA63J-184X	MG RESISTOR	180kΩ 1/16W J	
C905	QEKJ1CM-476Z	E CAPACITOR	47uF 16V M		R244	NRSA63J-123X	MG RESISTOR	12kΩ 1/16W J	
C906	NCB31HK-103X	C CAPACITOR	0.01uF 50V K		R245	NRSA63J-470X	MG RESISTOR	47Ω 1/16W J	
C907	QEKJ1AM-227Z	E CAPACITOR	220uF 10V M		R246	NRSA63J-102X	MG RESISTOR	1kΩ 1/16W J	
C908	QEKJ1AM-227Z	E CAPACITOR	220uF 10V M		R247	NRSA63J-473X	MG RESISTOR	47kΩ 1/16W J	
C909	QEKJ1AM-227Z	E CAPACITOR	220uF 10V M		R248	NRSA63J-221X	MG RESISTOR	220Ω 1/16W J	
C910	QEKJ1CM-106Z	E CAPACITOR	10uF 16V M		R301	NRSA63J-273X	MG RESISTOR	27kΩ 1/16W J	
C911	NCB31CK-104X	C CAPACITOR	0.1uF 16V K		R302	NRSA63J-273X	MG RESISTOR	27kΩ 1/16W J	
C912	NCB31HK-103X	C CAPACITOR	0.01uF 50V K		R311	NRSA63J-273X	MG RESISTOR	27kΩ 1/16W J	
C913	QEKJ1CM-106Z	E CAPACITOR	10uF 16V M		R312	NRSA63J-273X	MG RESISTOR	27kΩ 1/16W J	
C914	QEKJ1CM-107Z	E CAPACITOR	100uF 16V M		R321	NRSA63J-222X	MG RESISTOR	2.2kΩ 1/16W J	
C915	NCB31CK-104X	C CAPACITOR	0.1uF 16V K		R322	NRSA63J-821X	MG RESISTOR	820Ω 1/16W J	
C961	NDC31HJ-101X	C CAPACITOR	100pF 50V J		R323	NRSA02J-101X	MG RESISTOR	100Ω 1/10W J	
C962	NDC31HJ-101X	C CAPACITOR	100pF 50V J		R331	NRSA63J-222X	MG RESISTOR	2.2kΩ 1/16W J	
C963	NDC31HJ-101X	C CAPACITOR	100pF 50V J		R332	NRSA63J-821X	MG RESISTOR	820Ω 1/16W J	
C964	NDC31HJ-101X	C CAPACITOR	100pF 50V J		R333	NRSA02J-101X	MG RESISTOR	100Ω 1/10W J	
C965	NDC31HJ-101X	C CAPACITOR	100pF 50V J		R341	NRSA63J-222X	MG RESISTOR	2.2kΩ 1/16W J	
C966	NDC31HJ-101X	C CAPACITOR	100pF 50V J		R342	NRSA63J-821X	MG RESISTOR	820Ω 1/16W J	
C967	NDC31HJ-101X	C CAPACITOR	100pF 50V J		R343	NRSA02J-101X	MG RESISTOR	100Ω 1/10W J	
C968	NDC31HJ-101X	C CAPACITOR	100pF 50V J		R351	NRSA63J-222X	MG RESISTOR	2.2kΩ 1/16W J	
C971	NCB31EK-104X	C CAPACITOR	0.1uF 25V K		R352	NRSA63J-821X	MG RESISTOR	820Ω 1/16W J	
C990	NCB31HK-103X	C CAPACITOR	0.01uF 50V K		R353	NRSA02J-101X	MG RESISTOR	100Ω 1/10W J	
C991	NCB31HK-103X	C CAPACITOR	0.01uF 50V K		R402	NRSA63J-470X	MG RESISTOR	47Ω 1/16W J	
R1	NRS181J-100X	MG RESISTOR	10Ω 1/8W J		R403	NRSA63J-105X	MG RESISTOR	1MΩ 1/16W J	
R2	NRSA63J-473X	MG RESISTOR	47kΩ 1/16W J		R404	NRSA63J-103X	MG RESISTOR	10kΩ 1/16W J	
R3	NRSA63J-472X	MG RESISTOR	4.7kΩ 1/16W J		R405	NRSA63J-222X	MG RESISTOR	2.2kΩ 1/16W J	
R4	NRSA63J-332X	MG RESISTOR	3.3kΩ 1/16W J		R406	NRSA63J-470X	MG RESISTOR	47Ω 1/16W J	
R5	NRSA63J-473X	MG RESISTOR	47kΩ 1/16W J		R407	NRSA63J-222X	MG RESISTOR	2.2kΩ 1/16W J	
R6	NRSA63J-473X	MG RESISTOR	47kΩ 1/16W J		R408	NRSA63J-222X	MG RESISTOR	2.2kΩ 1/16W J	
R7	NRSA63J-472X	MG RESISTOR	4.7kΩ 1/16W J		R409	NRSA63J-222X	MG RESISTOR	2.2kΩ 1/16W J	
R9	NRSA63J-0R0X	MG RESISTOR	0Ω 1/16W J		R412	NRSA63J-472X	MG RESISTOR	4.7kΩ 1/16W J	
R10	NRSA63J-103X	MG RESISTOR	10kΩ 1/16W J		R413	NRSA63J-472X	MG RESISTOR	4.7kΩ 1/16W J	
R11	NRSA63J-103X	MG RESISTOR	10kΩ 1/16W J		R414	NRSA63J-472X	MG RESISTOR	4.7kΩ 1/16W J	
R31	NRS181J-100X	MG RESISTOR	10Ω 1/8W J		R415	NRSA63J-222X	MG RESISTOR	2.2kΩ 1/16W J	
R32	NRSA63J-622X	MG RESISTOR	6.2kΩ 1/16W J		R416	NRSA63J-473X	MG RESISTOR	47kΩ 1/16W J	
R33	NRSA63J-103X	MG RESISTOR	10kΩ 1/16W J		R423	NRSA63J-103X	MG RESISTOR	10kΩ 1/16W J	
R38	NRSA63J-101X	MG RESISTOR	100Ω 1/16W J		R424	NRSA63J-221X	MG RESISTOR	220Ω 1/16W J	
R39	NRSA63J-0R0X	MG RESISTOR	0Ω 1/16W J		R430	NRSA63J-472X	MG RESISTOR	4.7kΩ 1/16W J	
R40	NRSA63J-393X	MG RESISTOR	39kΩ 1/16W J		R431	NRSA63J-103X	MG RESISTOR	10kΩ 1/16W J	
R41	NRSA63J-103X	MG RESISTOR	10kΩ 1/16W J		R432	NRSA63J-682X	MG RESISTOR	6.8kΩ 1/16W J	
R42	NRS181J-100X	MG RESISTOR	10Ω 1/8W J		R433	NRSA63J-101X	MG RESISTOR	100Ω 1/16W J	
R43	NRSA63J-471X	MG RESISTOR	470Ω 1/16W J		R440	NRSA63J-472X	MG RESISTOR	4.7kΩ 1/16W J	
R44	NRSA63J-221X	MG RESISTOR	220Ω 1/16W J		R451	NRSA63J-223X	MG RESISTOR	22kΩ 1/16W J	
R51	NRSA63J-273X	MG RESISTOR	27kΩ 1/16W J		R452	NRSA63J-473X	MG RESISTOR	47kΩ 1/16W J	
R52	NRSA63J-473X	MG RESISTOR	47kΩ 1/16W J		R453	NRSA63J-222X	MG RESISTOR	2.2kΩ 1/16W J	
R53	NRSA63J-473X	MG RESISTOR	47kΩ 1/16W J		R454	NRSA63J-472X	MG RESISTOR	4.7kΩ 1/16W J	
R54	NRSA63J-103X	MG RESISTOR	10kΩ 1/16W J		R455	NRSA63J-222X	MG RESISTOR	2.2kΩ 1/16W J	
R55	NRSA63J-222X	MG RESISTOR	2.2kΩ 1/16W J		R456	NRSA63J-472X	MG RESISTOR	4.7kΩ 1/16W J	
R56	NRSA63J-103X	MG RESISTOR	10kΩ 1/16W J		R457	NRSA63J-222X	MG RESISTOR	2.2kΩ 1/16W J	
R57	NRSA63J-153X	MG RESISTOR	15kΩ 1/16W J		R458	NRSA63J-472X	MG RESISTOR	4.7kΩ 1/16W J	
R58	NRSA63J-471X	MG RESISTOR	470Ω 1/16W J		R459	NRSA02J-101X	MG RESISTOR	100Ω 1/10W J	
R59	NRSA63J-473X	MG RESISTOR	47kΩ 1/16W J		R460	NRSA02J-101X	MG RESISTOR	100Ω 1/10W J	
R71	NRSA63J-222X	MG RESISTOR	2.2kΩ 1/16W J		R481	NRSA02J-181X	MG RESISTOR	180Ω 1/10W J	
R72	NRSA63J-222X	MG RESISTOR	2.2kΩ 1/16W J		R501	NRSA63J-333X	MG RESISTOR	33kΩ 1/16W J	
R73	NRSA63J-222X	MG RESISTOR	2.2kΩ 1/16W J		R502	NRSA63J-822X	MG RESISTOR	8.2kΩ 1/16W J	
R74	NRSA02J-101X	MG RESISTOR	100Ω 1/10W J		R503	NRSA63J-472X	MG RESISTOR	4.7kΩ 1/16W J	
R81	NRSA63J-822X	MG RESISTOR	8.2kΩ 1/16W J		R504	NRSA63J-153X	MG RESISTOR	15kΩ 1/16W J	
R82	NRSA63J-183X	MG RESISTOR	18kΩ 1/16W J		R507	NRSA63J-682X	MG RESISTOR	6.8kΩ 1/16W J	
R83	NRSA63J-472X	MG RESISTOR	4.7kΩ 1/16W J		R508	NRSA63J-302X	MG RESISTOR	3kΩ 1/16W J	
R84	NRSA63J-0R0X	MG RESISTOR	0Ω 1/16W J		R509	NRSA63J-123X	MG RESISTOR	12kΩ 1/16W J	
R91	NRSA63J-822X	MG RESISTOR	8.2kΩ 1/16W J		R510	NRSA63J-822X	MG RESISTOR	8.2kΩ 1/16W J	
R92	NRSA63J-183X	MG RESISTOR	18kΩ 1/16W J		R511	NRSA63J-152X	MG RESISTOR	1.5kΩ 1/16W J	
					R512	NRSA63J-152X	MG RESISTOR	1.5kΩ 1/16W J	

△ Symbol No.	Part No.	Part Name	Description	Local	△ Symbol No.	Part No.	Part Name	Description	Local
R513	NRSA63J-152X	MG RESISTOR	1.5kΩ 1/16W J		R737	NRSA63J-0R0X	MG RESISTOR	0Ω 1/16W J	
R514	NRSA02J-220X	MG RESISTOR	22Ω 1/10W J		R738	NRSA63J-472X	MG RESISTOR	4.7kΩ 1/16W J	
R515	NRSA02J-220X	MG RESISTOR	22Ω 1/10W J		R739	NRSA63J-472X	MG RESISTOR	4.7kΩ 1/16W J	
R516	NRSA02J-331X	MG RESISTOR	330Ω 1/10W J		R740	NRSA63J-472X	MG RESISTOR	4.7kΩ 1/16W J	
R518	NRSA02J-0R0X	MG RESISTOR	0Ω 1/10W J		R741	NRSA63J-103X	MG RESISTOR	10kΩ 1/16W J	
R523	NRSA63J-823X	MG RESISTOR	82kΩ 1/16W J		R742	NRSA63J-103X	MG RESISTOR	10kΩ 1/16W J	
R524	NRSA63J-823X	MG RESISTOR	82kΩ 1/16W J		R743	NRSA63J-103X	MG RESISTOR	10kΩ 1/16W J	
R525	NRSA63J-334X	MG RESISTOR	330kΩ 1/16W J		R744	NRSA63J-103X	MG RESISTOR	10kΩ 1/16W J	
R526	NRSA63J-334X	MG RESISTOR	330kΩ 1/16W J		R745	NRSA63J-103X	MG RESISTOR	10kΩ 1/16W J	
R527	NRSA02J-220X	MG RESISTOR	22Ω 1/10W J		R746	NRSA63J-103X	MG RESISTOR	10kΩ 1/16W J	
R528	NRSA02J-220X	MG RESISTOR	22Ω 1/10W J		R747	NRSA63J-472X	MG RESISTOR	4.7kΩ 1/16W J	
R529	NRSA63J-823X	MG RESISTOR	82kΩ 1/16W J		R748	NRSA63J-472X	MG RESISTOR	4.7kΩ 1/16W J	
R530	NRSA63J-563X	MG RESISTOR	56kΩ 1/16W J		R749	NRSA63J-472X	MG RESISTOR	4.7kΩ 1/16W J	
R531	NRSA63J-103X	MG RESISTOR	10kΩ 1/16W J		R750	NRSA63J-103X	MG RESISTOR	10kΩ 1/16W J	
R532	NRSA63J-202X	MG RESISTOR	2kΩ 1/16W J		R751	NRSA63J-103X	MG RESISTOR	10kΩ 1/16W J	
R533	NRSA63J-102X	MG RESISTOR	1kΩ 1/16W J		R752	NRSA63J-473X	MG RESISTOR	47kΩ 1/16W J	
R534	NRSA63J-153X	MG RESISTOR	15kΩ 1/16W J		R753	NRSA63J-473X	MG RESISTOR	47kΩ 1/16W J	
R535	NRSA63J-101X	MG RESISTOR	100Ω 1/16W J		R754	NRSA63J-821X	MG RESISTOR	820Ω 1/16W J	
R536	NRSA63J-821X	MG RESISTOR	820Ω 1/16W J		R755	NRSA63J-106X	MG RESISTOR	10MΩ 1/16W J	
R537	NRSA63J-0R0X	MG RESISTOR	0Ω 1/16W J		R756	NRSA63J-473X	MG RESISTOR	47kΩ 1/16W J	
R539	NRSA02J-151X	MG RESISTOR	150Ω 1/10W J		R757	NRSA63J-222X	MG RESISTOR	2.2kΩ 1/16W J	
R541	NRSA63J-562X	MG RESISTOR	5.6kΩ 1/16W J		R758	NRSA63J-473X	MG RESISTOR	47kΩ 1/16W J	
R542	NRSA63J-473X	MG RESISTOR	47kΩ 1/16W J		R760	NRSA63J-473X	MG RESISTOR	47kΩ 1/16W J	
R543	NRSA63J-474X	MG RESISTOR	470kΩ 1/16W J		R761	NRSA63J-473X	MG RESISTOR	47kΩ 1/16W J	
R544	NRSA63J-103X	MG RESISTOR	10kΩ 1/16W J		R763	NRSA63J-102X	MG RESISTOR	1kΩ 1/16W J	
R545	NRSA63J-103X	MG RESISTOR	10kΩ 1/16W J		R764	NRSA63J-101X	MG RESISTOR	100Ω 1/16W J	
R546	NRSA63J-0R0X	MG RESISTOR	0Ω 1/16W J		R766	NRSA63J-222X	MG RESISTOR	2.2kΩ 1/16W J	
R547	NRSA63J-0R0X	MG RESISTOR	0Ω 1/16W J		R767	NRSA63J-223X	MG RESISTOR	22kΩ 1/16W J	
R548	NRSA63J-0R0X	MG RESISTOR	0Ω 1/16W J		R768	NRSA02J-271X	MG RESISTOR	270Ω 1/10W J	
R549	NRSA63J-101X	MG RESISTOR	100Ω 1/16W J		R771	NRSA63J-271X	MG RESISTOR	270Ω 1/16W J	
R550	NRSA63J-101X	MG RESISTOR	100Ω 1/16W J		R772	NRSA63J-271X	MG RESISTOR	270Ω 1/16W J	
R551	NRSA63J-101X	MG RESISTOR	100Ω 1/16W J		R776	NRSA63J-473X	MG RESISTOR	47kΩ 1/16W J	
R552	NRSA63J-101X	MG RESISTOR	100Ω 1/16W J		R777	NRSA63J-473X	MG RESISTOR	47kΩ 1/16W J	
R553	NRSA63J-105X	MG RESISTOR	1MΩ 1/16W J		R783	NRSA63J-103X	MG RESISTOR	10kΩ 1/16W J	
R558	NRSA63J-103X	MG RESISTOR	10kΩ 1/16W J		R793	NRS181J-0R0X	MG RESISTOR	0Ω 1/8W J	
R559	NRSA63J-155X	MG RESISTOR	1.5MΩ 1/16W J		R801	NRSA63J-473X	MG RESISTOR	47kΩ 1/16W J	
R581	NRSA63J-822X	MG RESISTOR	8.2kΩ 1/16W J		R802	NRSA63J-473X	MG RESISTOR	47kΩ 1/16W J	
R582	NRSA63J-822X	MG RESISTOR	8.2kΩ 1/16W J		R803	NRSA63J-101X	MG RESISTOR	100Ω 1/16W J	
R583	NRSA63J-822X	MG RESISTOR	8.2kΩ 1/16W J		R804	NRSA63J-223X	MG RESISTOR	22kΩ 1/16W J	
R584	NRSA63J-181X	MG RESISTOR	180Ω 1/16W J		R805	NRSA63J-104X	MG RESISTOR	100kΩ 1/16W J	
R585	NRSA63J-181X	MG RESISTOR	180Ω 1/16W J		R806	NRSA63J-103X	MG RESISTOR	10kΩ 1/16W J	
R586	NRSA63J-682X	MG RESISTOR	6.8kΩ 1/16W J		R807	NRSA63J-104X	MG RESISTOR	100kΩ 1/16W J	
R587	NRSA63J-102X	MG RESISTOR	1kΩ 1/16W J		R808	NRSA63J-331X	MG RESISTOR	330Ω 1/16W J	
R588	NRSA63J-102X	MG RESISTOR	1kΩ 1/16W J		R809	NRSA63J-223X	MG RESISTOR	22kΩ 1/16W J	
R591	NRSA63J-822X	MG RESISTOR	8.2kΩ 1/16W J		R810	NRSA63J-101X	MG RESISTOR	100Ω 1/16W J	
R592	NRSA63J-822X	MG RESISTOR	8.2kΩ 1/16W J		R881	NRSA63J-473X	MG RESISTOR	47kΩ 1/16W J	
R593	NRSA63J-822X	MG RESISTOR	8.2kΩ 1/16W J		R882	NRSA63J-472X	MG RESISTOR	4.7kΩ 1/16W J	
R594	NRSA63J-181X	MG RESISTOR	180Ω 1/16W J		R891	NRSA63J-102X	MG RESISTOR	1kΩ 1/16W J	
R595	NRSA63J-181X	MG RESISTOR	180Ω 1/16W J		R892	NRSA63J-473X	MG RESISTOR	47kΩ 1/16W J	
R596	NRSA63J-682X	MG RESISTOR	6.8kΩ 1/16W J		R901	QRE142J-102X	C RESISTOR	1kΩ 1/4W J	
R597	NRSA63J-102X	MG RESISTOR	1kΩ 1/16W J		R902	NRSA02J-912X	MG RESISTOR	9.1kΩ 1/10W J	
R598	NRSA63J-102X	MG RESISTOR	1kΩ 1/16W J		R903	NRSA02J-472X	MG RESISTOR	4.7kΩ 1/10W J	
R701	NRSA63J-473X	MG RESISTOR	47kΩ 1/16W J		R971	NRS181J-222X	MG RESISTOR	2.2kΩ 1/8W J	
R702	NRSA63J-0R0X	MG RESISTOR	0Ω 1/16W J		R972	NRS181J-222X	MG RESISTOR	2.2kΩ 1/8W J	
R704	NRSA63J-473X	MG RESISTOR	47kΩ 1/16W J		R976	NRSA02J-273X	MG RESISTOR	27kΩ 1/10W J	
R705	NRSA63J-473X	MG RESISTOR	47kΩ 1/16W J		R977	NRSA02J-123X	MG RESISTOR	12kΩ 1/10W J	
R708	NRSA63J-332X	MG RESISTOR	3.3kΩ 1/16W J		RA30	NRZ0065-222X	NET RESISTOR	2.2kΩ	
R713	NRSA63J-101X	MG RESISTOR	100Ω 1/16W J		RA550	NRZ0065-103X	NET RESISTOR	10kΩ	
R714	NRSA63J-103X	MG RESISTOR	10kΩ 1/16W J		RA701	NRZ0065-102X	NET RESISTOR	1kΩ	
R715	NRSA63J-102X	MG RESISTOR	1kΩ 1/16W J		L1	QQL244J-4R7Z	INDUCTIOR	4.7uH J	
R716	NRSA63J-102X	MG RESISTOR	1kΩ 1/16W J		L401	NQL114K-470X	INDUCITOR	47uH K	
R717	NRSA63J-103X	MG RESISTOR	10kΩ 1/16W J		L402	NQL114K-470X	INDUCITOR	47uH K	
R718	NRSA63J-103X	MG RESISTOR	10kΩ 1/16W J		L404	NQL114K-470X	INDUCITOR	47uH K	
R719	NRSA63J-0R0X	MG RESISTOR	0Ω 1/16W J		L541	NQL114K-470X	INDUCITOR	47uH K	
R720	NRSA63J-122X	MG RESISTOR	1.2kΩ 1/16W J		L543	NQL114K-470X	INDUCITOR	47uH K	
R721	NRSA63J-102X	MG RESISTOR	1kΩ 1/16W J		L544	NQL114K-470X	INDUCITOR	47uH K	
R722	NRSA63J-103X	MG RESISTOR	10kΩ 1/16W J		L701	NQL114M-4R7X	COIL	4.7uH M	
R723	NRSA63J-103X	MG RESISTOR	10kΩ 1/16W J		L702	NQL114M-4R7X	COIL	4.7uH M	
R725	NRSA63J-103X	MG RESISTOR	10kΩ 1/16W J		L901	QQR1378-002	COIL		
R726	NRSA63J-103X	MG RESISTOR	10kΩ 1/16W J		CN501	QGB2027M4-22S	CONNECTOR	B-B (1-22)	
R728	NRSA63J-103X	MG RESISTOR	10kΩ 1/16W J		CN701	QNZ0605-001	CAR CONNECTOR		
R729	NRSA63J-473X	MG RESISTOR	47kΩ 1/16W J		CN702	QGA2006F1-02	CONNECTOR	W-B (1-2)	
R730	NRSA63J-103X	MG RESISTOR	10kΩ 1/16W J		CN901	QNZ0650-001	CAR CONNECTOR		
R731	NRSA63J-473X	MG RESISTOR	47kΩ 1/16W J		J1	QNB0100-002	CAR ANT JACK		
R732	NRSA63J-103X	MG RESISTOR	10kΩ 1/16W J		J321	QNN0489-001	PIN JACK		
R734	NRSA63J-222X	MG RESISTOR	2.2kΩ 1/16W J		J801	QNZ0095-001	CONNECTOR		
R735	NRSA63J-222X	MG RESISTOR	2.2kΩ 1/16W J						
R736	NRSA63J-222X	MG RESISTOR	2.2kΩ 1/16W J						

△ Symbol No.	Part No.	Part Name	Description	Local
PP1	QZW0010-001	STYLE PIN		
S701	QSW0451-001	DETECT SW		
S702	QSW0451-001	DETECT SW		
S703	QSW1049-001Z	TACT SW		
TU1	QAU0313-001	TUNER		
X31	QAX0616-001Z	CRYSTAL	10.250MHz	
X71	QAX0263-001Z	CRYSTAL	4.332MHz	
X401	QAX0760-001Z	CRYSTAL		
X701	QAX0617-001Z	CRYSTAL	12.500MHz	
X702	QAX0401-001	CRYSTAL	32.768KHz	

Front board

Block No. [0][2][0][0]

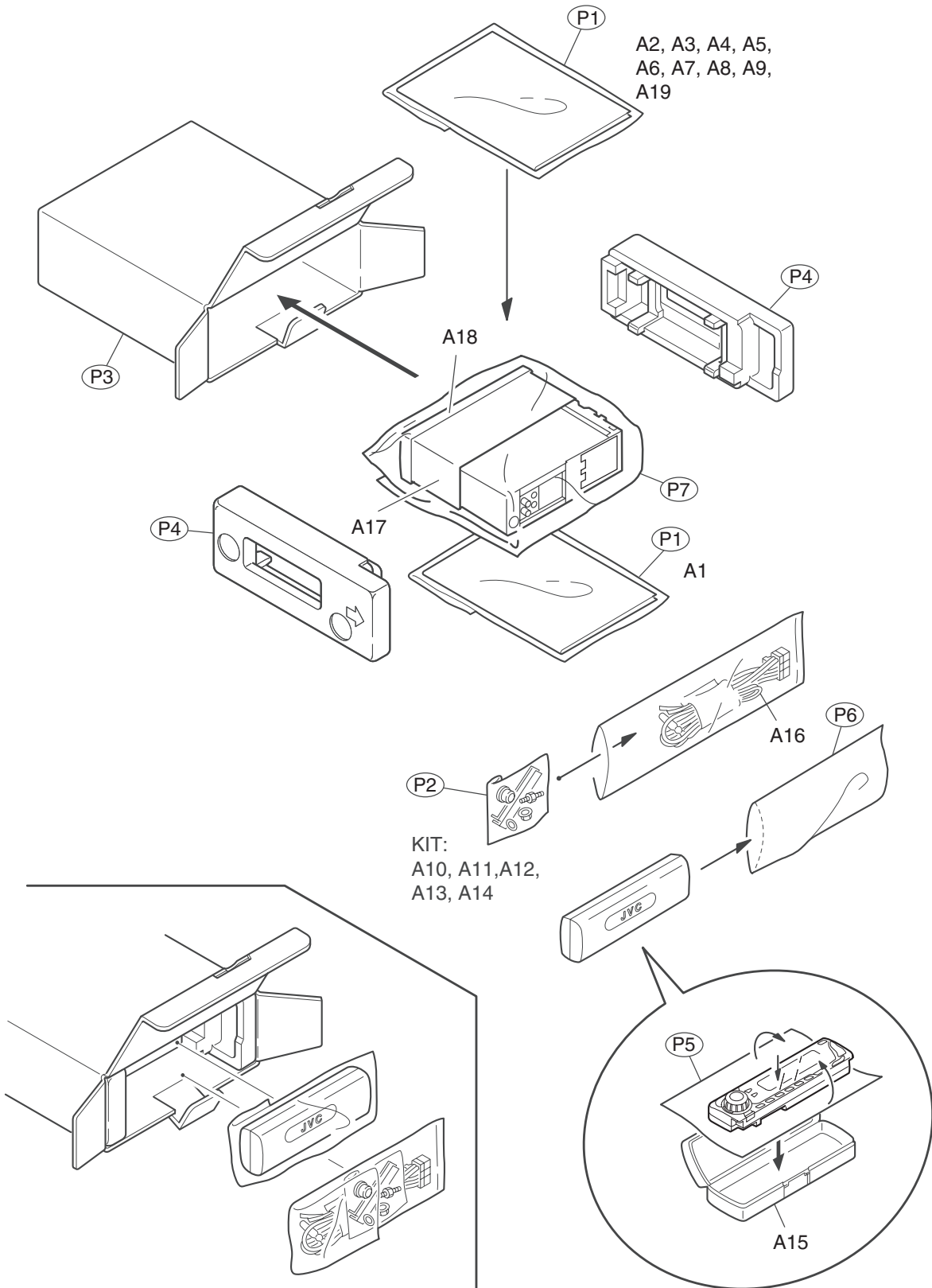
△ Symbol No.	Part No.	Part Name	Description	Local
IC601	LC75823W	IC		
IC602	RPM7338-V4	RM.RECEIVER		
Q640	2SB624/4/-X	TRANSISTOR		
Q641	UN2211-X	TRANSISTOR		
D601	SML-310VT/JK/-X	LED		
D602	SML-310VT/JK/-X	LED		
D603	SML-310VT/JK/-X	LED		
D604	SML-310VT/JK/-X	LED		
D605	SML-310VT/JK/-X	LED		
D606	SML-310VT/JK/-X	LED		
D607	SML-310VT/JK/-X	LED		
D608	SML-310VT/JK/-X	LED		
D609	SML-310VT/JK/-X	LED		
D610	SML-310VT/JK/-X	LED		
D611	SML-310VT/JK/-X	LED		
D612	SML-310VT/JK/-X	LED		
D613	SML-310VT/JK/-X	LED		
D614	SML-310VT/JK/-X	LED		
D615	SML-310VT/JK/-X	LED		
D616	SML-310VT/JK/-X	LED		
D617	SML-310VT/JK/-X	LED		
D618	SML-310VT/JK/-X	LED		
D619	SML-310VT/JK/-X	LED		
D620	SML-310VT/JK/-X	LED		
D621	SML-310VT/JK/-X	LED		
D631	SML-310LT/MN/-X	LED		
D641	UDZS5.1B-X	Z DIODE		
D642	MA111-X	SI DIODE		
D643	MA8062/M/-X	Z DIODE		
D645	NSPW310BS/BRS/	LED		
D646	NSPW310BS/BRS/	LED		
C601	NCB31HK-223X	C CAPACITOR	0.022uF 50V K	
C602	NCS31HJ-681X	C CAPACITOR	680pF 50V J	
C603	NBE20JM-106X	TA E CAPACITOR	10uF 6.3V M	
C611	NCB31HK-123X	C CAPACITOR	0.012uF 50V K	
C612	NBE20JM-475X	TA E CAPACITOR	4.7uF 6.3V M	
R601	NRSA63J-821X	MG RESISTOR	820Ω 1/16W J	
R602	NRSA63J-821X	MG RESISTOR	820Ω 1/16W J	
R603	NRSA63J-122X	MG RESISTOR	1.2kΩ 1/16W J	
R604	NRSA63J-182X	MG RESISTOR	1.8kΩ 1/16W J	
R605	NRSA63J-272X	MG RESISTOR	2.7kΩ 1/16W J	
R606	NRSA63J-392X	MG RESISTOR	3.9kΩ 1/16W J	
R607	NRSA63J-821X	MG RESISTOR	820Ω 1/16W J	
R608	NRSA63J-821X	MG RESISTOR	820Ω 1/16W J	
R609	NRSA63J-122X	MG RESISTOR	1.2kΩ 1/16W J	
R610	NRSA63J-182X	MG RESISTOR	1.8kΩ 1/16W J	
R611	NRSA63J-272X	MG RESISTOR	2.7kΩ 1/16W J	
R612	NRSA63J-392X	MG RESISTOR	3.9kΩ 1/16W J	
R613	NRSA63J-821X	MG RESISTOR	820Ω 1/16W J	
R614	NRSA63J-821X	MG RESISTOR	820Ω 1/16W J	
R631	NRS181J-821X	MG RESISTOR	820Ω 1/8W J	
R632	NRSA02J-271X	MG RESISTOR	270Ω 1/10W J	
R634	NRSA02J-271X	MG RESISTOR	270Ω 1/10W J	
R636	NRSA02J-471X	MG RESISTOR	470Ω 1/10W J	

△ Symbol No.	Part No.	Part Name	Description	Local
R638	NRSA02J-271X	MG RESISTOR	270Ω 1/10W J	
R640	NRSA02J-271X	MG RESISTOR	270Ω 1/10W J	
R642	NRSA02J-471X	MG RESISTOR	470Ω 1/10W J	
R644	NRSA02J-122X	MG RESISTOR	1.2kΩ 1/10W J	
R645	NRSA02J-122X	MG RESISTOR	1.2kΩ 1/10W J	
R646	NRSA02J-271X	MG RESISTOR	270Ω 1/10W J	
R648	NRSA02J-122X	MG RESISTOR	1.2kΩ 1/10W J	
R649	NRSA02J-122X	MG RESISTOR	1.2kΩ 1/10W J	
R651	NRSA63J-222X	MG RESISTOR	2.2kΩ 1/16W J	
R652	NRSA63J-222X	MG RESISTOR	2.2kΩ 1/16W J	
R653	NRSA63J-103X	MG RESISTOR	10kΩ 1/16W J	
R654	NRSA63J-103X	MG RESISTOR	10kΩ 1/16W J	
R655	NRSA63J-103X	MG RESISTOR	10kΩ 1/16W J	
R656	NRSA63J-103X	MG RESISTOR	10kΩ 1/16W J	
R657	NRSA63J-513X	MG RESISTOR	51kΩ 1/16W J	
R658	NRSA63J-184X	MG RESISTOR	180kΩ 1/16W J	
R660	NRS181J-391X	MG RESISTOR	390Ω 1/8W J	
R661	NRS181J-391X	MG RESISTOR	390Ω 1/8W J	
R670	NRSA63J-0R0X	MG RESISTOR	0Ω 1/16W J	
R672	NRS181J-471X	MG RESISTOR	470Ω 1/8W J	
R673	NRS181J-473X	MG RESISTOR	47kΩ 1/8W J	
R674	NRS181J-102X	MG RESISTOR	1kΩ 1/8W J	
R681	NRSA63J-101X	MG RESISTOR	100Ω 1/16W J	
R691	NRSA63J-103X	MG RESISTOR	10kΩ 1/16W J	
R692	NRSA63J-471X	MG RESISTOR	470Ω 1/16W J	

CN601	NNZ0087-001	CAR CONNECTOR		
EN601	QSW0863-003	JOG SHUTTLE SW		
S601	NSW0206-001X	TACT SWITCH		
S602	NSW0206-001X	TACT SWITCH		
S603	NSW0206-001X	TACT SWITCH		
S604	NSW0206-001X	TACT SWITCH		
S605	NSW0206-001X	TACT SWITCH		
S606	NSW0206-001X	TACT SWITCH		
S607	NSW0206-001X	TACT SWITCH		
S608	NSW0206-001X	TACT SWITCH		
S609	NSW0206-001X	TACT SWITCH		
S610	NSW0206-001X	TACT SWITCH		
S611	NSW0206-001X	TACT SWITCH		
S612	NSW0206-001X	TACT SWITCH		
S613	NSW0206-001X	TACT SWITCH		
S614	NSW0206-001X	TACT SWITCH		
S615	NSW0206-001X	TACT SWITCH		
S616	NSW0206-001X	TACT SWITCH		
S617	NSW0206-001X	TACT SWITCH		

Packing materials and accessories parts list

Block No. M 3 M M



Packing and Accessories

Block No. [M][3][M][M]

△ Symbol No.	Part No.	Part Name	Description	Local
A 1	GET0193-004B	INST BOOK	ENG SPA FRE TUR	EU
A 1	GET0193-001B	INST BOOK		E,EX
A 2	GET0193-002B	INST BOOK	SPA ITA POL RUS	E
A 2	GET0193-009B	INST BOOK	PER	EU
A 2	GET0193-003B	INST BOOK	SWE DAN FIN GRE	EX
A 3	GET0193-005B	INSTALL MANUAL		E,EX
A 4	GET0193-006B	INSTALL MANUAL		E
A 4	GET0193-008B	INSTALL MANUAL		EU
A 4	GET0193-007B	INSTALL MANUAL		EX
A 5	GET0208-001A	DEMO MODE SHT		E,EU
A 5	GET0208-002A	DEMO MODE SHT		EX
A 6	LVT1120-002A	MP3 GUIDE		
A 7	BT-54013-7	WARRANTY CARD		E,EX
A 8	VND3050-002	IDENTITY CARD		E,EX
A 9	VND3046-001	SERIAL TICKET		E,EX
A 10	VKZ4027-202	PLUG NUT		
A 11	VKH4871-001SS	MOUNT BOLT		
A 12	VKZ4328-001	LOCK NUT		
A 13	WNS5000Z	WASHER		
A 14	GE40130-002A	HOOK	(x2)	
A 15	FSJB3002-00C	HARD CASE		
△ A 16	QAM0176-002	POWER CORD		
A 17	GE20137-003A	MOUNTING SLEEVE		
A 18	GE20149-010A	TRIM PLATE		
A 19	GET0193-010B	INSTALL MANUAL		EU
KIT	SRW-200J	SCREW PARTS KIT	A10 to A14	
P 1	FSPG4002-001	POLY BAG	(x2)	
P 2	QPA00801205	POLY BAG	8cm x 12cm	
P 3	GE31367-001A	CARTON		
P 4	GE10070-002A	EPS CUSHION		
P 5	FSYH4036-068	SHEET		
P 6	QPA01003003	POLY BAG	10cm x 30cm	
P 7	QPC03004315P	POLY BAG	30cm x 43cm	